
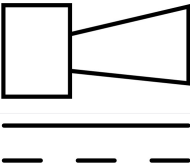




Acoustic device, 24V, continuous or pulsed tone

Part no. SL7-AP24
Article no. 171281
Catalog No. SL7-AP24

Delivery program

| | | | |
|----------------------------|-------|----|---|
| Product range | | | SL signal towers |
| Basic function | | | Acoustic module |
| Degree of Protection | | | IP66 |
| Rated operational voltage | U_e | V | 24 V AC/DC |
| Rated operational current | I_e | mA | 92 |
| Description | | | Continuous tone or pulsed tone, adjustable with internal dip switches. Sound pressure 100 db, adjustable with internal potentiometer. $f = 2800$ Hz Place only at the highest position on a pole |
| Colour | | | |
| | | |  |
| Function | | |  |
| Connection to SmartWire-DT | | | no |

Technical data

General

| | | | |
|-----------------------------|--|----|--|
| Standards | | | IEC/EN 60947-5-1 |
| Climatic proofing | | | Damp heat, constant, to IEC 60068-2-78 Damp heat, cyclic, to IEC 60069-2-30 |
| Mounting position | | | As required |
| Mechanical shock resistance | | g | > 15 according to IEC 60068-2-27 Shock duration 11 ms Sinusoidal |
| IEC degree of protection | | | IP66 IEC/EN 60529 |
| Protection type UL | | | Type 4, 4X, 13 |
| Material | | | Enclosure: Polycarbonate (PC), black Cap: Polycarbonate (PC) |
| Ambient temperature | | °C | -30 - +60 |
| Weight | | g | 102 |

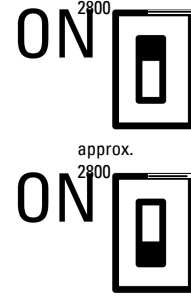
Contacts

| | | | |
|---------------------------------------|-----------|------|-------|
| Rated impulse withstand voltage | U_{imp} | V AC | 4000 |
| Rated insulation voltage | U_i | V | 250 |
| Overtoltage category/pollution degree | | | III/3 |

modules

| Leakage current | | A | < 0.003 | | | | | | | | | | | | |
|----------------------|---------------------|-------------------|--|---------------------|---------------------|-------------------|-------------|---------------------|-------------|--|--|----|--|--|----|
| Type of tone | | | Continuous or pulsed tone | | | | | | | | | | | | |
| Types of sound | | | 2 versions, table of sound types | | | | | | | | | | | | |
| Sound setting | | | Internal; 1 pole DIP | | | | | | | | | | | | |
| Table of sound types | | | Table of sound types | | | | | | | | | | | | |
| | | | <table border="1"> <thead> <tr> <th>Sound type</th> <th>DIP switch settings</th> <th>Frequency diagram</th> <th>Repeat rate</th> <th>Special application</th> <th>Max. volume</th> </tr> </thead> <tbody> <tr> <td></td> <td></td> <td>Hz</td> <td></td> <td></td> <td>dB</td> </tr> </tbody> </table> | Sound type | DIP switch settings | Frequency diagram | Repeat rate | Special application | Max. volume | | | Hz | | | dB |
| Sound type | DIP switch settings | Frequency diagram | Repeat rate | Special application | Max. volume | | | | | | | | | | |
| | | Hz | | | dB | | | | | | | | | | |

| | | | | | | | | |
|---|--|----|-----------|-----------------|--------------|--------------|---|-------------------------|
| | | | SL7-AP... | Continuous tone | approx. 2800 | - | - | 100 |
| | | | | Pulsed tone | approx. 2800 | approx. 2 Hz | - | 100 |
| Sound pressure | | dB | | | | | | |
| Sound pressure level adjustment | | | | | | | | Built-in, potentiometer |
| Sound_pressure_can_be_lowered_to_a_minimum_of | | | | | | | | 88 dB |
| Transmission angle | | | | | | | | 360° |
| Current-/power consumption | | | | | | | | |
| 24 V AC/DC | | A | | | | | | 0.092 |
| Voltage levels | | | | | | | | 24 V AC/DC ± 10 % |



Design verification as per IEC/EN 61439

| | | | |
|--|--|----|-----|
| Technical data for design verification | | | |
| Operating ambient temperature min. | | °C | -30 |
| Operating ambient temperature max. | | °C | 60 |

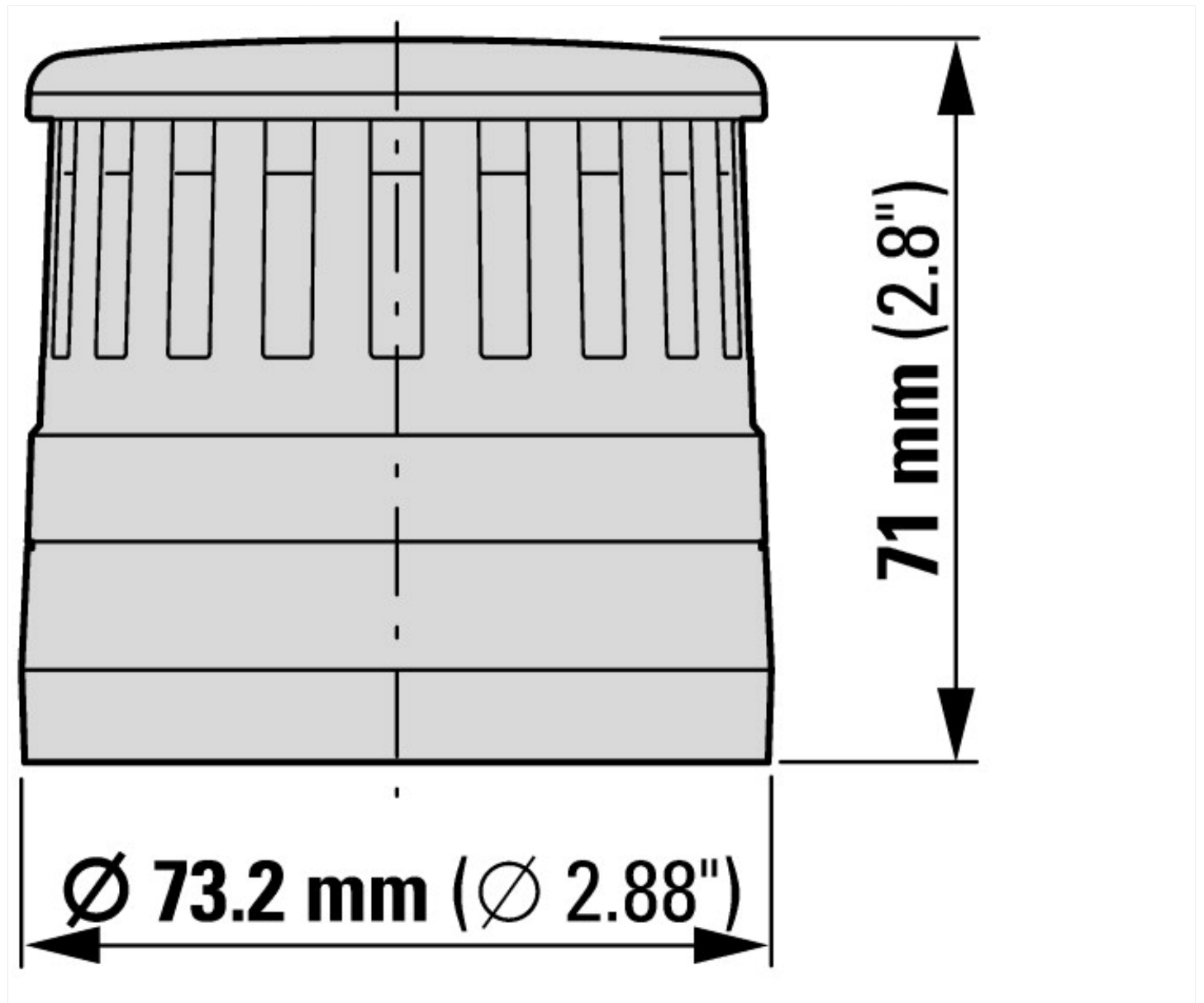
Technical data ETIM 6.0

| | | | |
|--|--|----|----------------------------|
| Low-voltage industrial components (EG000017) / Acoustic module for signal tower (EC001261) | | | |
| Electric engineering, automation, process control engineering / Low-voltage switch technology / Command and alarm device / Signal column element, acoustic (ecl@ss8.1-27-37-12-37 [AKF055011]) | | | |
| Function | | | Continuous tone/pulse tone |
| Outer diameter | | mm | 73 |
| Degree of protection (IP) | | | IP66 |
| Colour | | | Black |
| Operating voltage at AC 50 Hz | | V | 24 - 24 |
| Operating voltage at AC 60 Hz | | V | 24 - 24 |
| Operating voltage at DC | | V | 24 - 24 |
| Voltage type | | | AC/DC |
| Tone adjustable | | | Yes |

Approvals

| | | | |
|-----------------------------|--|--|--|
| Product Standards | | | IEC/EN 60947-5-1; UL 508; CSA-C22.2 No. 14-10; CSA-C22.2 No. 94-91; CE marking |
| UL File No. | | | E29184 |
| UL Category Control No. | | | NKCR |
| CSA File No. | | | UL report applies to both US and Canada |
| CSA Class No. | | | NKCR7 |
| North America Certification | | | UL listed, certified by UL for use in Canada |
| Degree of Protection | | | UL Type 4, 4X, 13 |

Dimensions



Additional product information (links)

IL047004ZU SL7 Light Modules, Tone Modules

IL047004ZU SL7 Light Modules, Tone Modules ftp://ftp.moeller.net/DOCUMENTATION/AWA_INSTRUCTIONS/IL047004ZU2013_02.pdf

IL047004ZU SL7, modules lumineux, modules sonores ftp://ftp.moeller.net/DOCUMENTATION/AWA_INSTRUCTIONS/IL047004ZU2013_02.pdf