



Product Change Notification – 2021/10

Product Line:	powerCON Accessories	Part No:	SCNAC-PX
---------------	-----------------------------	----------	-----------------

Piece Part:	Sealing cover	Part No:	1014051
-------------	---------------	----------	---------

Engineering Change Request:	2019-0210	Date:	30 June 2021
-----------------------------	-----------	-------	--------------

Comments:	Design change
-----------	---------------

Affected products:	SCNAC-PX
--------------------	----------

First shipment of modified product:	O22
-------------------------------------	-----

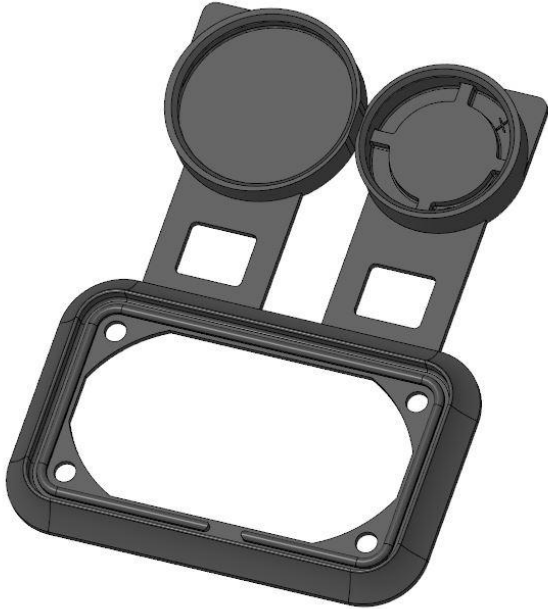
Engineering Change Notice

As part of the continuous improvement of our products we have redesigned our sealing cover.

By redesigning this product, we achieve a higher and a more even sealing force at the sealing flange. This serves to increase the reliable sealing function of the product.



OLD



NEW

