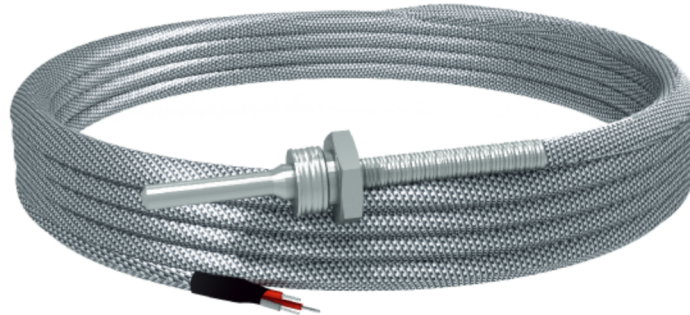
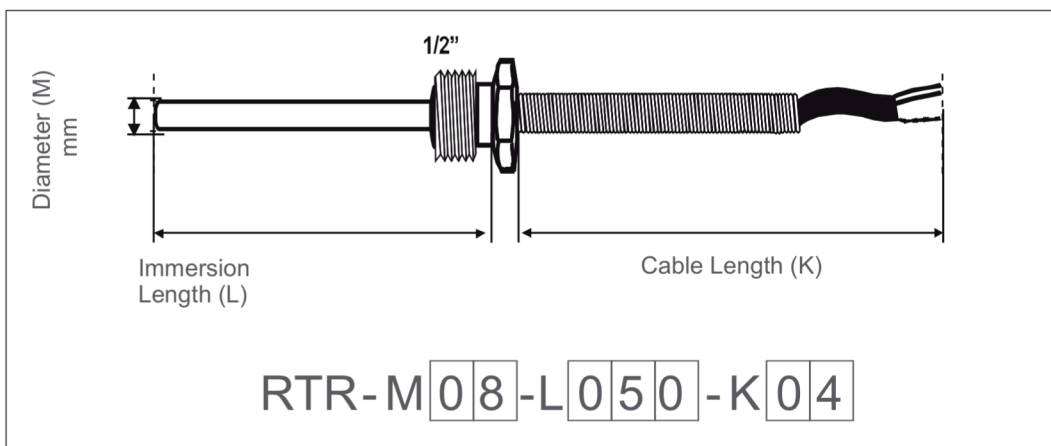


► (RTR) Bayonet Type with fittingnut
RTR-M08-L050-K04

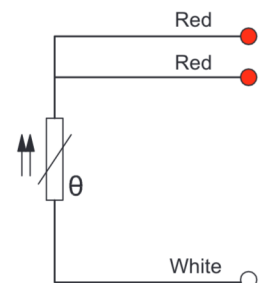


Max. operating temperature	: -50 °C / +400 °C
Standard cable types	: Fiber glass + fiber glass + braided wire
Sensor type	: DIN/EN60751 Class "B" 1xPT-100
Protection tube material	: AIS304 (DIN1.4301) Stainless Steel
Fittingnut	: Standard 1/2"

► Technical drawing



PT-100 Connections



Diameter (M)	: 8 mm
Immersion Length (L)	: 50 mm
Cable length (K)	: 4 meter