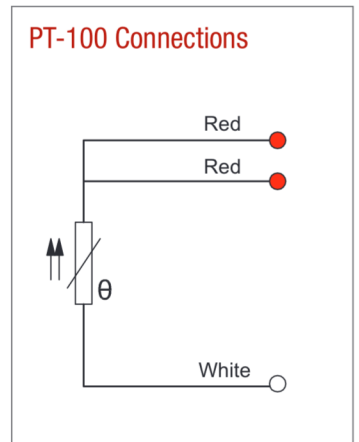
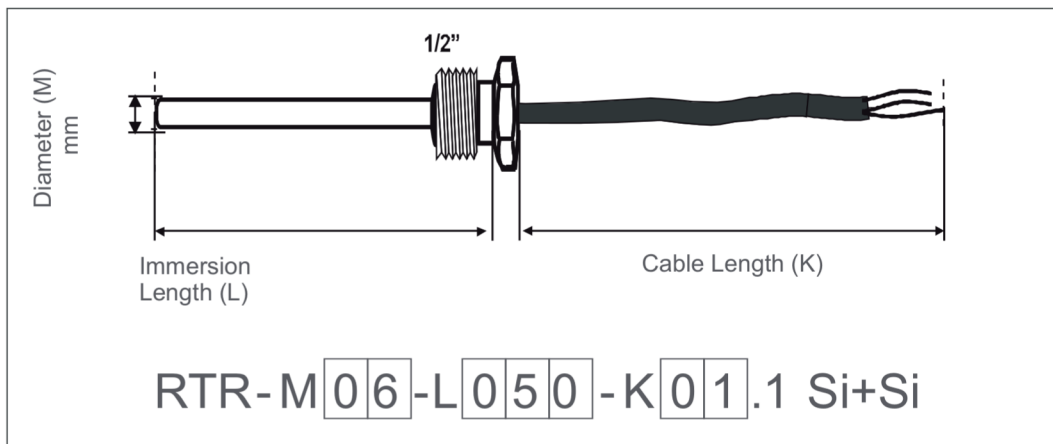


► (RTR) Bayonet Type with fittingnut
RTR-M06-L050-K01.1 Si+Si



- Max. operating temperature : -50 °C / +200 °C
- Standard cable types : Silicone + Silicone
- Sensor type : DIN/EN60751 Class "B" 1xPT-100
- Protection tube material : AIS304 (DIN1.4301) Stainless Steel
- Fittingnut : Standard 1/2"

► Technical drawing



- Diameter (M) : 6 mm
- Immersion Length (L) : 50 mm
- Cable length (K) : 1 meter