

Silicon Epitaxial Planar Switching Diode



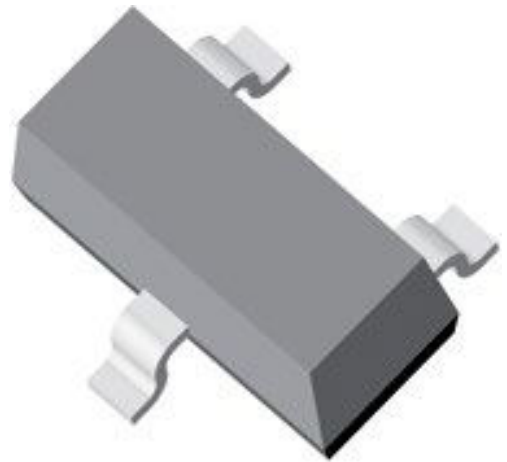
Silicon Epitaxial Planar Switching Diode, SOT-23

FEATURES:

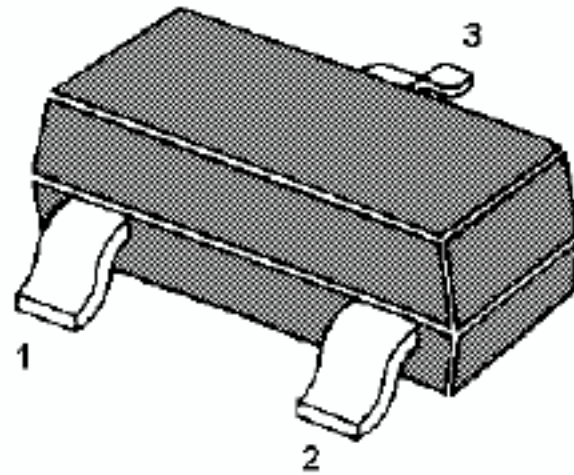
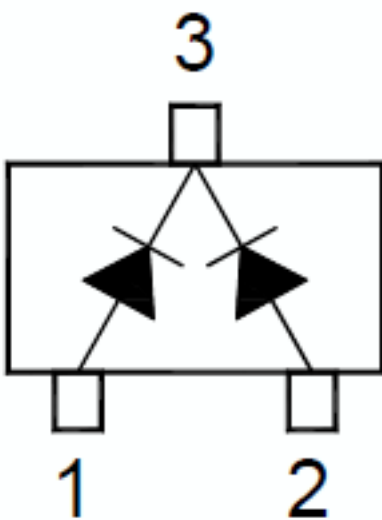
Low forward voltage
Fast reverse recovery time
Small total capacitance

SPECIFICATION:

Off-state voltage	75 V
Conducting-state current	200 mA
Recovery time	4 ns
Housing type	SOT-23
Conducting-state voltage	1 V@ I _f =50 mA
Operating temperature	-65...+150 °C
Power dissipation	350 mW
Capacitance	2 pF



Art. Nr.
RND BAV70



Marking Code: **A4**
TO-236 Plastic Package

