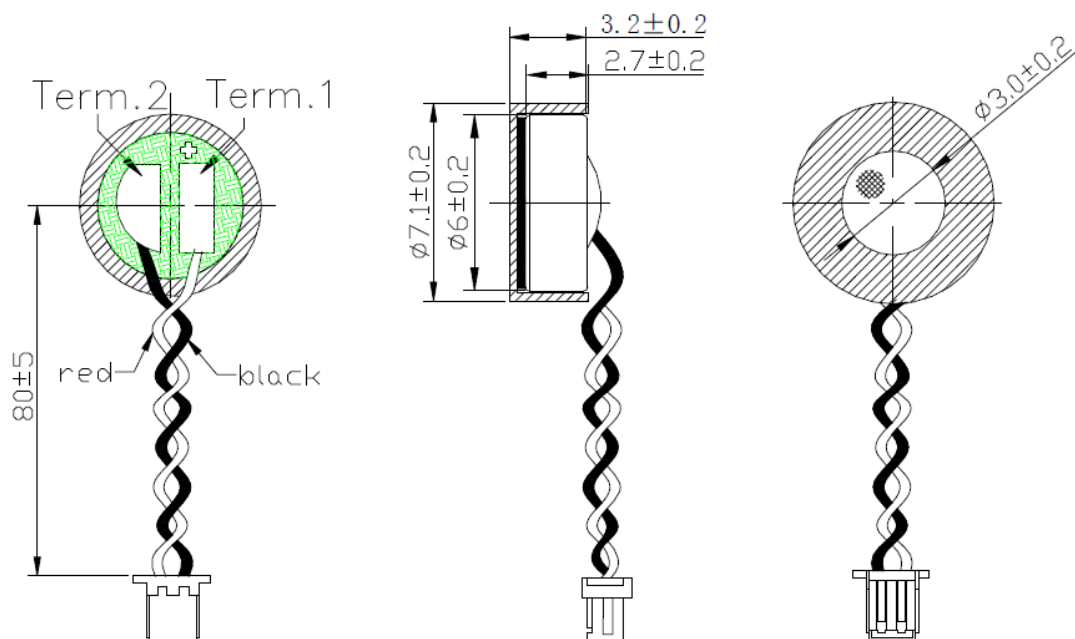
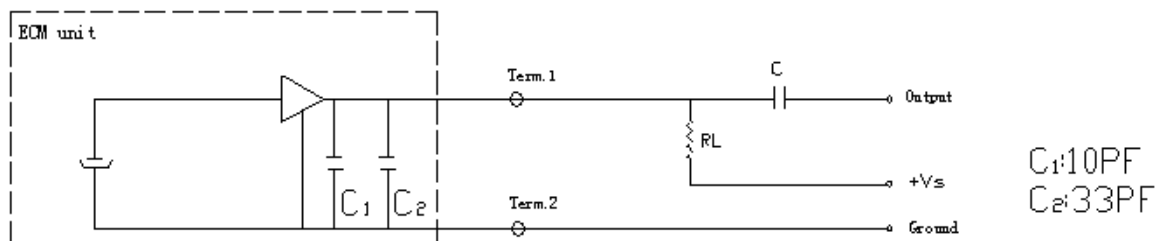


# Electret Condenser Microphone



## Specification

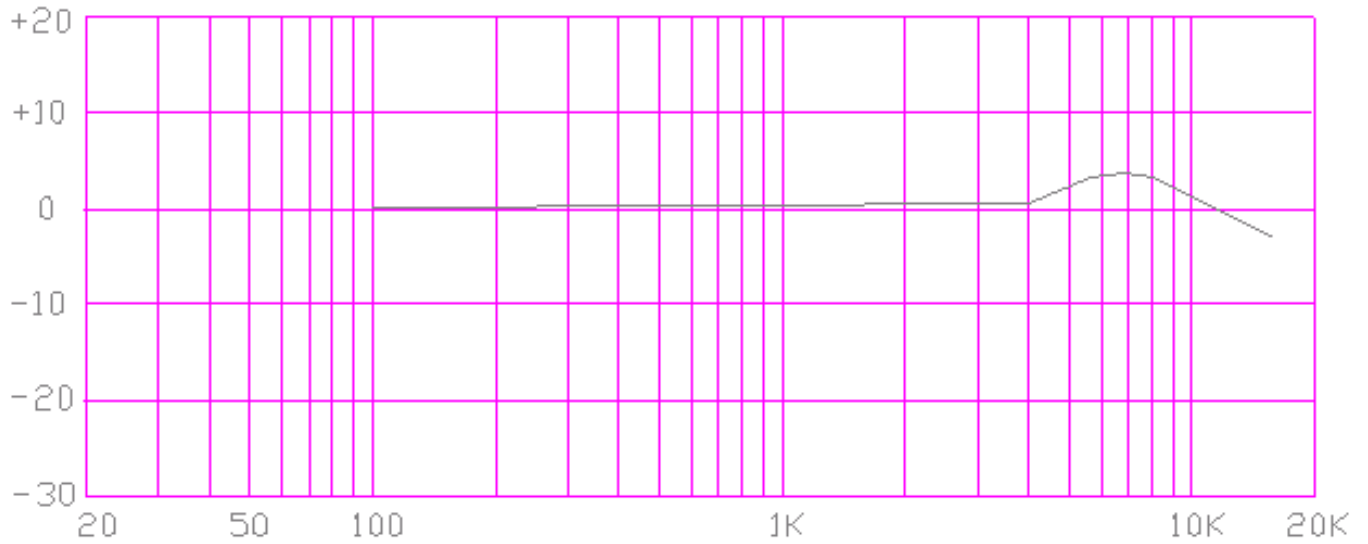
Directivity	Omni Directional
Terminal	With Leads
Standard Operating Voltage	2 V
Maximum Operating Voltage	10 V
Maximum Current Consumption	500 mA
Output Impedance (F=1KHz 1Pa)	2.2 KΩ
Frequency	50 ... 16000 Hz
Sensitivity (@F=1KHz, 0dB=1V/Pa)	$z -38\pm 2$ dB
Sensitivity Reduction (@1.5V-3.0V)	-3 dB
Signal to Noise Ratio (F=1KHz 1Pa) A Weighted	> 60 dB
Electrets Type	Foil Type
Material	Al
Storage Temperature Min.	-25 °C
Storage Temperature Max.	70 °C
Operating Temperature Min.	-20 °C
Operating Temperature Max.	60 °C
Wire Type	UL1571 32 AWG
Connector	51021-0200



# Electret Condenser Microphone



## Typical Frequency Response Curve



Art. Nr.  
RND 770-00011