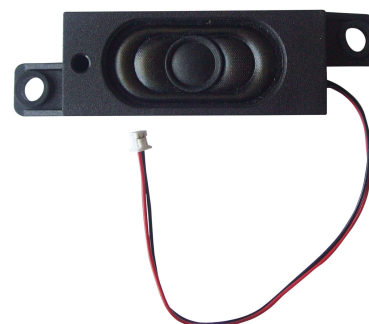


Miniature Speaker



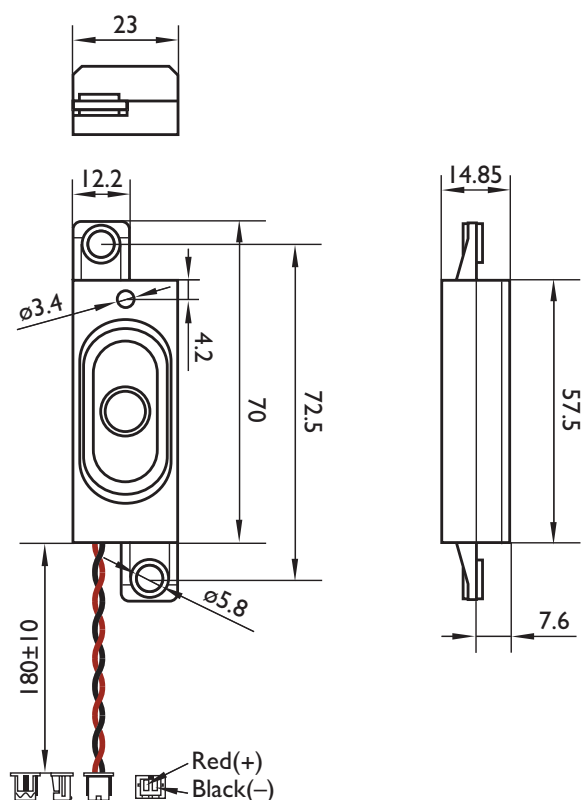
Features

- ROHS compliant
- Wires fitted with Molex style connector
- Pre-moulded case with wires attached
- Easy to mount and fix



Specification

Rated Impedance	8±15% Ω
Rated Power	1 W
Maximum Power	2 W
Resonant Frequency	700±20% Hz/1V
Frequency Range	f 0 ... 20 KHz
Sound Pressure Level at 1W/0.1M - 0.8,1.0,1.2,1.5KHz	98±3 dB
Cone Material	Paper and Cloth
Housing Material	ABS
Wire	UL1571, AWG28#
Connector	Molex 51021-0200 equivalent
Weight	28 g
Magnet Material	NdFeB
Magnet Size	ø12.5x2.5 mm



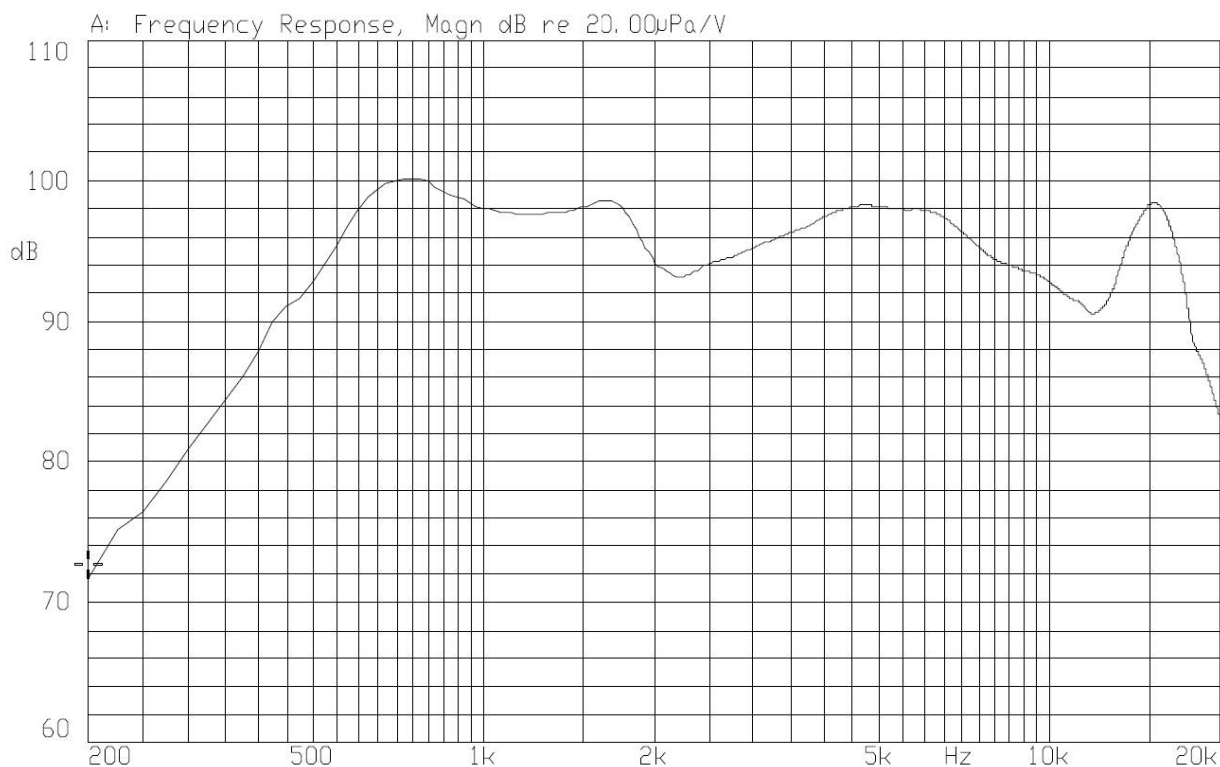
Dimensions Unit: mm Tolerance: ±0.5mm

Miniature Speaker



Frequency Curve

1W 0.1m 2.83V



10-AUG-2010 13:52:11

Mode: TSR



Art. Nr.
RND 770-00006