

Dummy Covering

FEATURES:

Simple assembly

Snaps-in after assembly

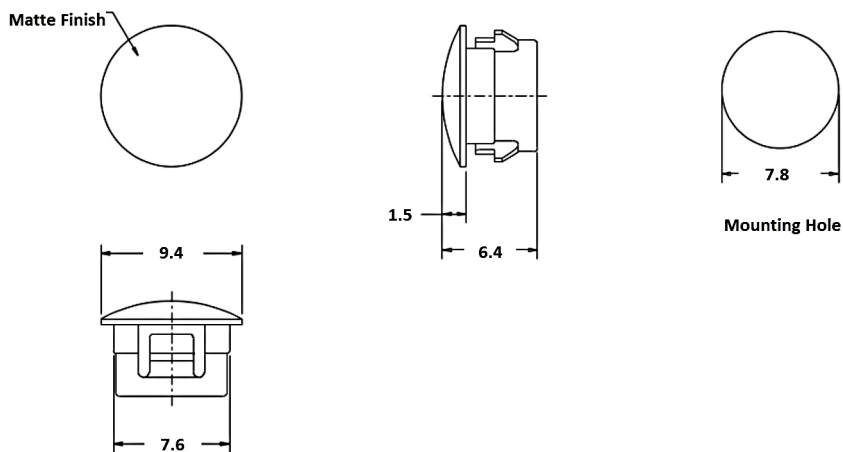
SPECIFICATION:

Material PA66, UL-94V-2

Colour Black

Hole Diameter 7.8 mm

Panel Depth 6.4 mm



Art. Nr.

RND 610-00339