

Wire Saddle

Nylon 66, 6.7 mm



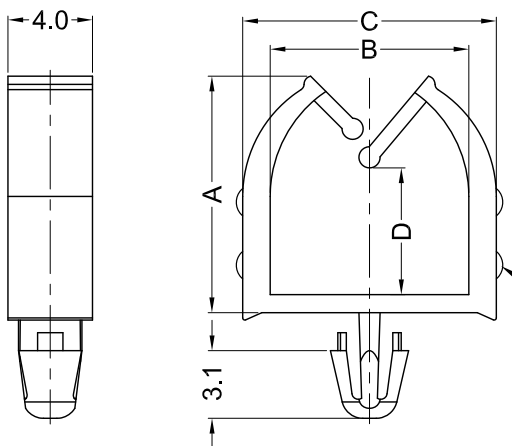
FEATURES:

Durable

Arrowhead mount

SPECIFICATION:

Material	Nylon 66
Colour	Natural
Affixing Method	Snap Lock
A	7.3 mm
B	6.7 mm
C	9.1 mm
D	3 mm
Hole Diameter	3±0.05 mm
Panel Thickness	1.6 mm



Art. Nr.

RND 610-00324