

Locking Wire Saddle

Nylon 66, 17.5 mm



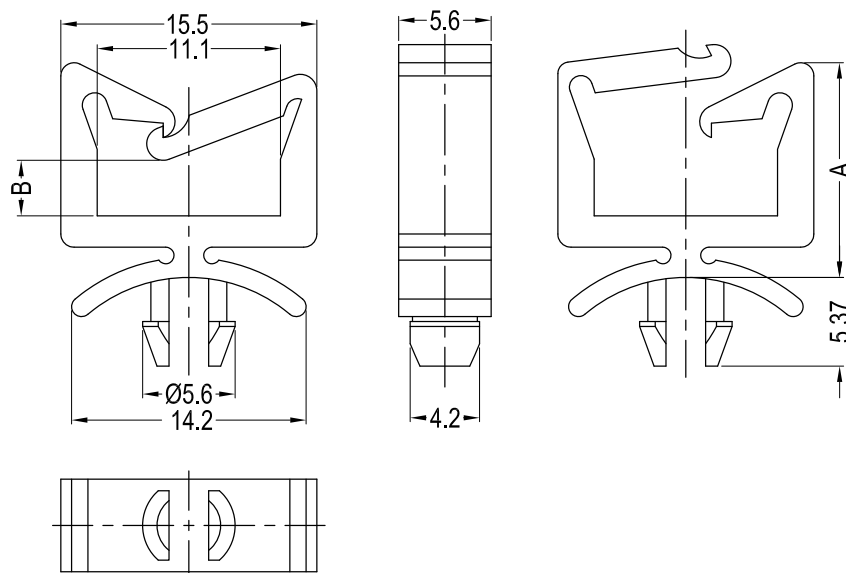
FEATURES:

For wire locking

Arrowhead mount

SPECIFICATION:

Material	Nylon 66
Colour	Natural
Affixing Method	Snap Lock
A	27.2 mm
B	17.5 mm
Hole Diameter	4.75±0.08 mm
Panel Thickness	1.6 mm



Art. Nr.

RND 610-00322