

Reverse Locking Circuit Board Support

Pack of 50



FEATURES:

Top hole diameter 4.0 mm, panel thickness 1.6 mm

Bottom hole diameter 6.0 mm, panel thickness 0.8-1.2 mm

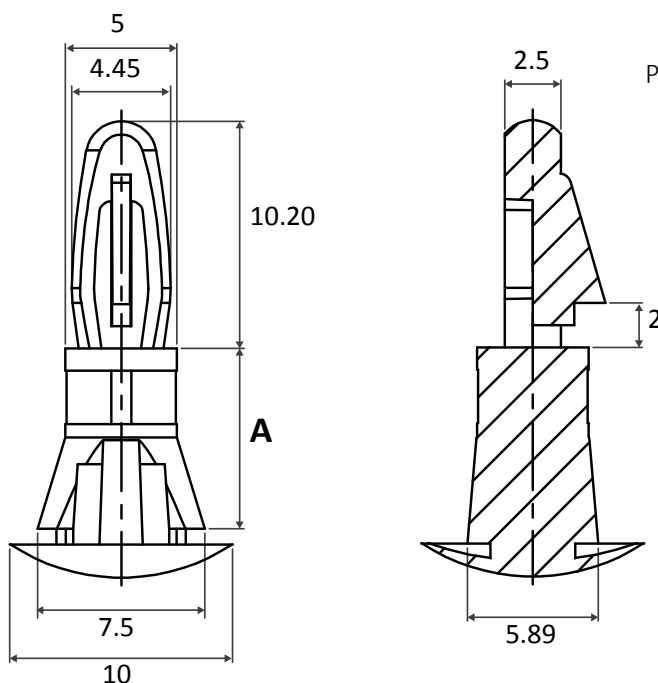
SPECIFICATION:

Material Nylon 66 (UL 94 V-2)

Colour Natural

PRODUCT RANGE:

Art. Nr.	A
RND 610-00164	4.8 mm
RND 610-00165	6.4 mm
RND 610-00166	7.9 mm
RND 610-00167	9.5 mm
RND 610-00168	12.7 mm
RND 610-00169	19.1 mm



Panel Thickness: Top: 1.56 Bottom: 0.8 - 1.2 Top
Hole: 4.0 dia. +/- 0.08
Bottom Hole: 6.0 dia. +/- 0.08