

# Reverse Locking Circuit Board Support

## Pack of 50



**FEATURES:**

Top hole diameter 3.2 mm

Bottom hole diameter 4.8 mm

Panel thickness 1.6 mm

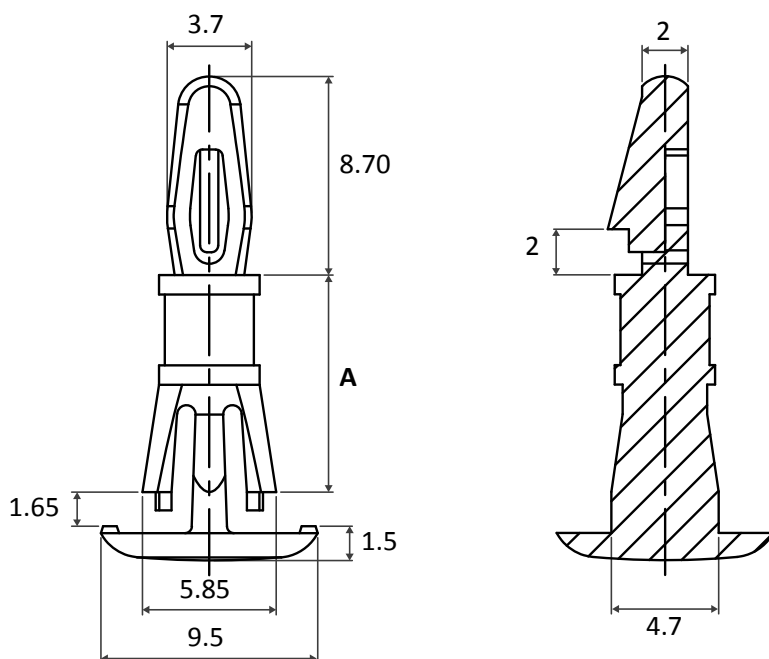
**SPECIFICATION:**

Material Nylon 66 (UL 94 V-2)

Colour Natural

**PRODUCT RANGE:**

Art. Nr.	A
RND 610-00157	6.4 mm
RND 610-00158	7.9 mm
RND 610-00159	9.5 mm
RND 610-00160	11.1 mm
RND 610-00161	12.7 mm
RND 610-00162	14.3 mm
RND 610-00163	15.9 mm



Panel Thickness: Top: 1.57 Bottom: 1.5 - 1.6 Top  
 Hole: 3.18 dia. +/- 0.05  
 Bottom Hole: 4.75 dia. +/- 0.05