

RJ45 Open-Pass Modular Plug



Features

- Allows wires to be fully inserted and pass through holes to verify conductor order before crimping
- Works on CAT6 solid or stranded wires AWG 26-24 / 23
- 3 prong contacts for secure connection with wires
- 50u gold plated contacts to prevent erosion and extend plug life



Specification

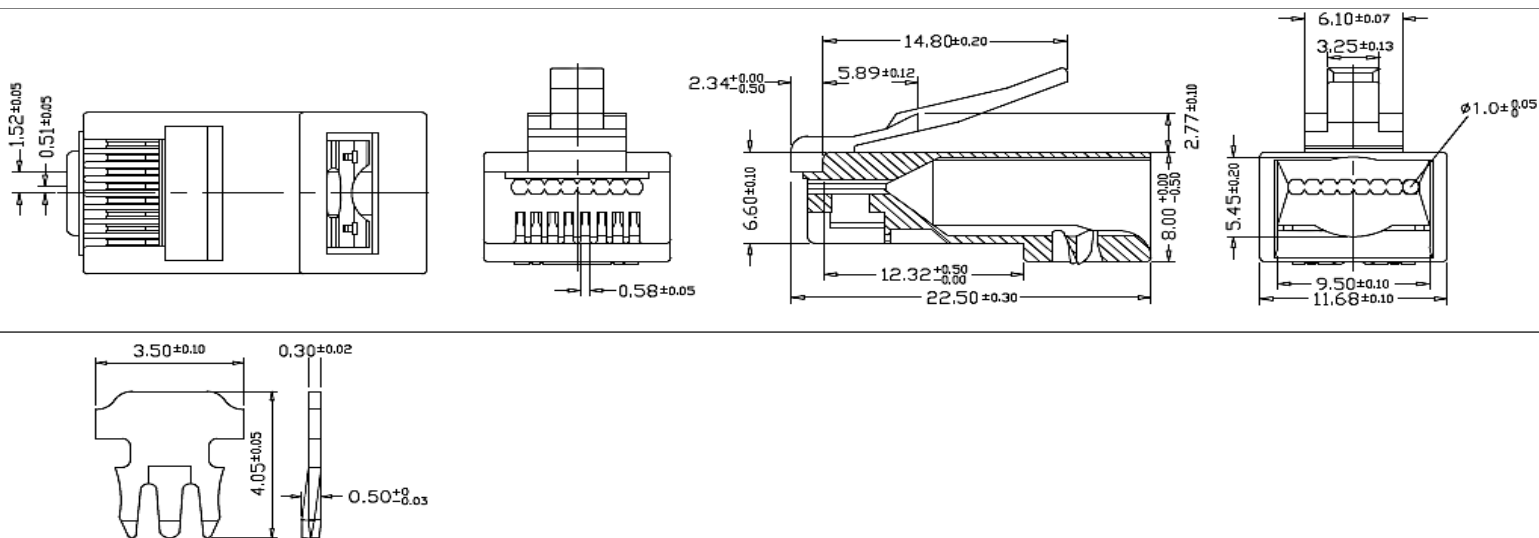
Gender	Plug
LAN Category	CAT6
Connector Type	RJ45
Number of Contacts	3
Number of Positions	3
Mounting Type	Cable Mount
Length	0.887" (22.5 mm ± 0.1mm) / Piece
Weight	1.6 g / Piece
Quantity	50 pcs / Pack

Material Specification

Housing Material	Polycarbonate (PC)
Contact Material	Phosphor Bronze
Contact Plating	Gold 50u



Drawing



“3” : 3 PRONGS FOR STRANDED & SOLID WIRE

RJ45 Open-Pass Modular Plug



Accessories



**Protective Cover for
RJ-45 Connector
RND 610-00033**



**Anti-Kink Sleeves
RND 765-00015 - Grey
RND 765-00016 - Yellow
RND 765-00017 - Green
RND 765-00018 - Blue
RND 765-00019 - Black
RND 765-00020 - White**



**Professional Modular
Plug Crimper For RJ45
Open-Pass Plug
RND 550-00344**

**Art Nr.
RND 550-00347**