

# RJ45 Open-Pass Modular Plug



## Features

- Allows wires to be fully inserted and pass through holes to verify conductor order before crimping
- Works on CAT6 solid or stranded wires AWG 26-24 / 23
- 3 prong contacts for secure connection with wires
- 50u gold plated contacts to prevent erosion and extend plug life



## Specification

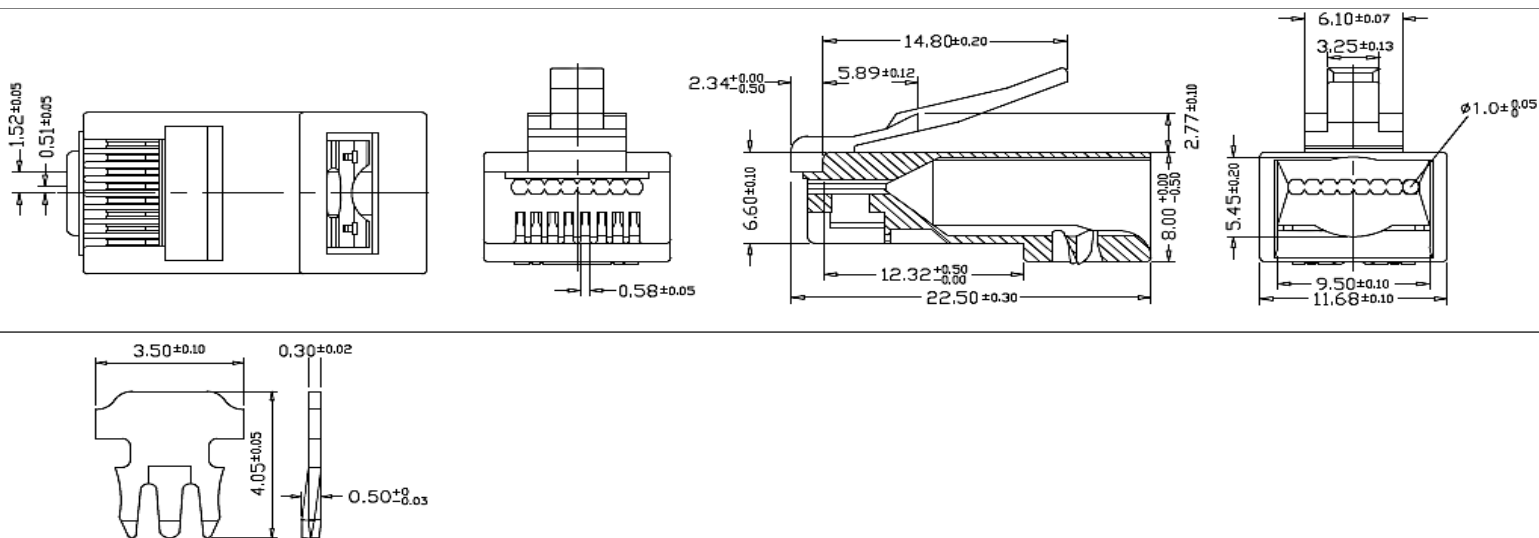
|                     |                                  |
|---------------------|----------------------------------|
| Gender              | Plug                             |
| LAN Category        | CAT6                             |
| Connector Type      | RJ45                             |
| Number of Contacts  | 3                                |
| Number of Positions | 3                                |
| Mounting Type       | Cable Mount                      |
| Length              | 0.887" (22.5 mm ± 0.1mm) / Piece |
| Weight              | 1.6 g / Piece                    |
| Quantity            | 25 pcs / Pack                    |

## Material Specification

|                  |                    |
|------------------|--------------------|
| Housing Material | Polycarbonate (PC) |
| Contact Material | Phosphor Bronze    |
| Contact Plating  | Gold 50u           |



## Drawing



“3” : 3 PRONGS FOR STRANDED & SOLID WIRE

# RJ45 Open-Pass Modular Plug



## Accessories



**Protective Cover for  
RJ-45 Connector  
RND 610-00033**



**Anti-Kink Sleeves  
RND 765-00015 - Grey  
RND 765-00016 - Yellow  
RND 765-00017 - Green  
RND 765-00018 - Blue  
RND 765-00019 - Black  
RND 765-00020 - White**



**Professional Modular  
Plug Crimper For RJ45  
Open-Pass Plug  
RND 550-00344**

**Art Nr.  
RND 550-00346**