

# Magnifying glass lamp

1.75x



## FEATURES

Optical Power 3D+12D

Super bright 30 Ultra-efficient SMD LEDs

Adjustable arm

Fixing lens ring design for easy lens replacement

Integrated handle for easy positioning

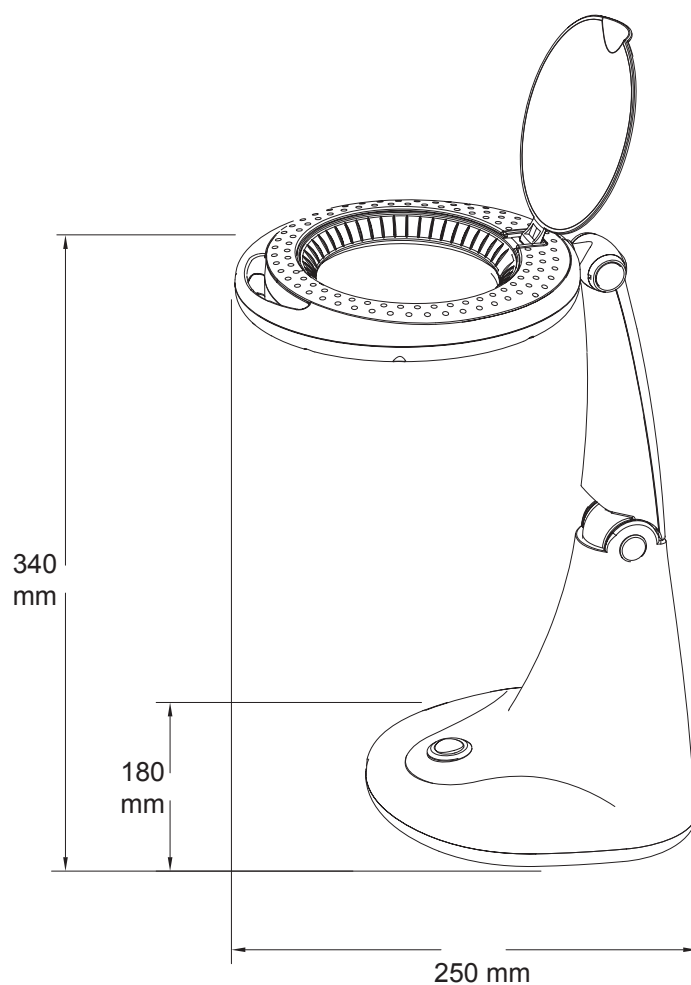
Colour Temperature 6000-6500K

Luminous flux 560 Lumen

## SPECIFICATION:

Lens	Glass
Colour	white
Power	6 W
Magnification	1.75x
Diameter, lens	102 mm
Energy Class	A+
Refractive value	3 dioptre

## DRAWING



Art. Nr.

RND 550-00124