

Magnifying glass lamp

1.75x Euro



FEATURES

Super bright 60 Ultra-efficient SMD LEDs

Equipped with strong internal springs in the arm

Covered arm for full protection

Heavy duty metal G-clamp

Colour Temperature 6000-6500K

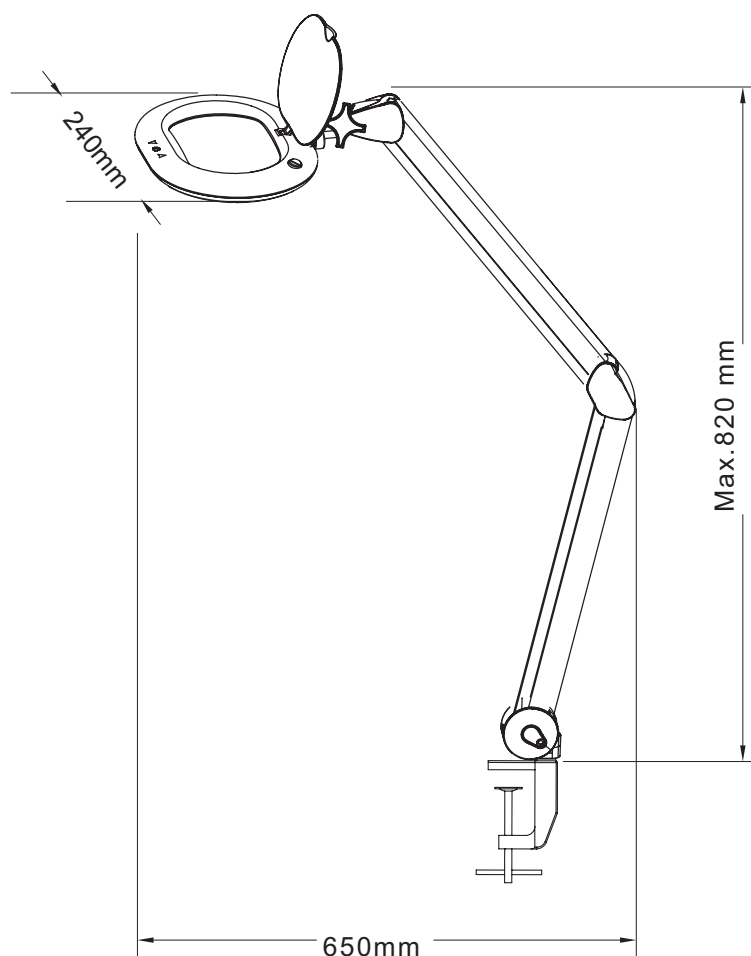
Luminous flux 950 Lumen

Dimmable

SPECIFICATION:

Lens	Glass
Colour	white
Power	1 W/10 W
Material	Metal / Plastic
Magnification	1.75x
Dimension Lens	152 mmx 114 mm
Energy Class	A+
Plug version	Euro
Refractive value	3 dioptre

DRAWING



Art. Nr.

RND 550-00122