

Magnifying glass lamp

1.75x Euro



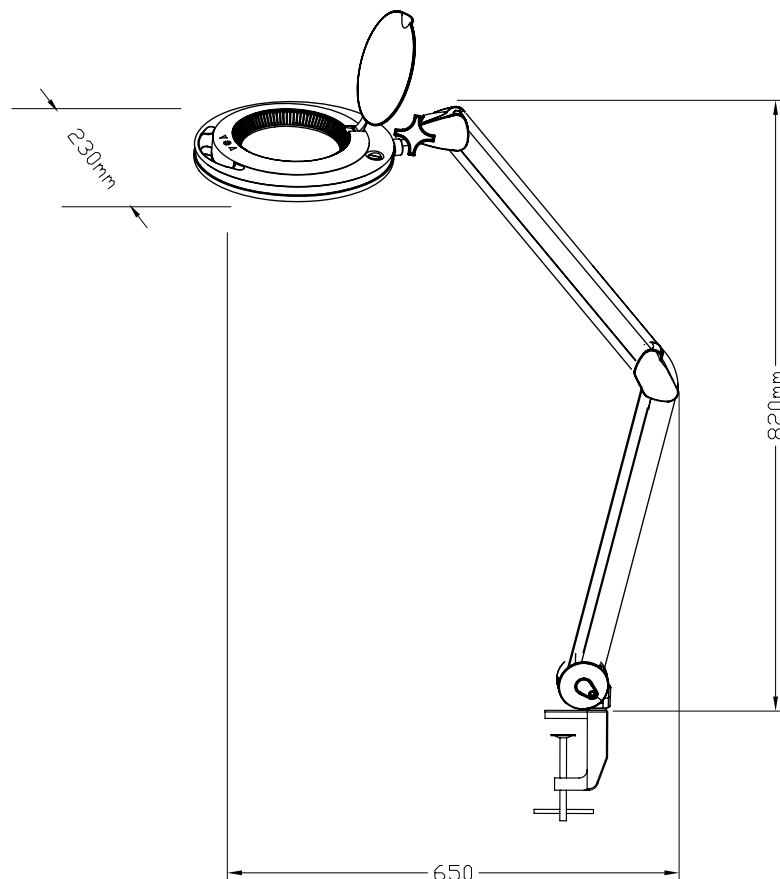
FEATURES

- Super bright 60 Ultra-efficient SMD LEDs
- Equipped with strong internal springs in the arm
- Covered arm for full protection
- Lamp head with stainless steel ring for decoration
- Integrated handle for easy positioning
- Heavy duty metal G-clamp
- Colour Temperature 6000-6500K
- Luminous flux 950 Lumen
- Dimmable

SPECIFICATION:

Lens	Glass
Colour	white
Power	1 W/10 W
Material	Metal / Plastic
Magnification	1.75x
Diameter, lens	127 mm
Energy Class	A+
Plug version	Euro
Refractive value	3 dioptre

DRAWING



Art. Nr.
RND 550-00120