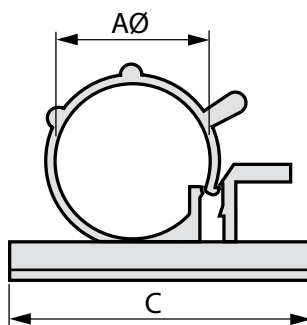


# Cable Clamp -40...+85 °C grey Polyamide

Cable Clamps, Releasable



## FEATURES:

Self-adhesive

Latching closure

For round cables or insulated individual leads

## SPECIFICATION:

Temperature range -40...+85 °C

Colour grey

Material Polyamide

Shielding unshielded

## PRODUCT RANGE:

Art. Nr.	Clamping range	A	C
RND 475-00420	6...7 mm	7 mm	25 mm
RND 475-00421	7...8 mm	8 mm	25 mm
RND 475-00422	9...10 mm	10 mm	30 mm
RND 475-00423	12...14 mm	14 mm	30 mm
RND 475-00424	16...18 mm	18 mm	30 mm