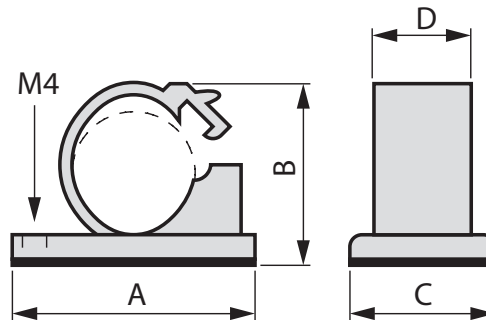


# Cable Clamp -15...+65 °C black Polyamide 6.6

Cable Clamps, Fixed, RND



## FEATURES:

- Self-adhesive
- Fixed diameter
- Latch-in closure
- Mounting hole

## SPECIFICATION:

Temperature range	-15...+65 °C
Colour	black
Material	Polyamide 6.6
D	8.0 mm

## PRODUCT RANGE:

Art. Nr.	Bore hole $\phi$	Clamping range	A	B	C
RND 475-00316	5.0 mm	$\phi$ 5.5 mm	25.8 mm	12.2 mm	13.4 mm
RND 475-00317	5.0 mm	$\phi$ 7.5 mm	28.8 mm	14.5 mm	13.4 mm
RND 475-00318	5.3 mm	$\phi$ 12.0 mm	34.8 mm	18.5 mm	16.5 mm
RND 475-00313	5.0 mm	$\phi$ 14.0 mm	36.5 mm	19.5 mm	16.4 mm
RND 475-00314	5.0 mm	$\phi$ 15.0 mm	38.2 mm	20.3 mm	16.0 mm
RND 475-00315	4.8 mm	$\phi$ 17.0 mm	41.3 mm	25.0 mm	15.6 mm