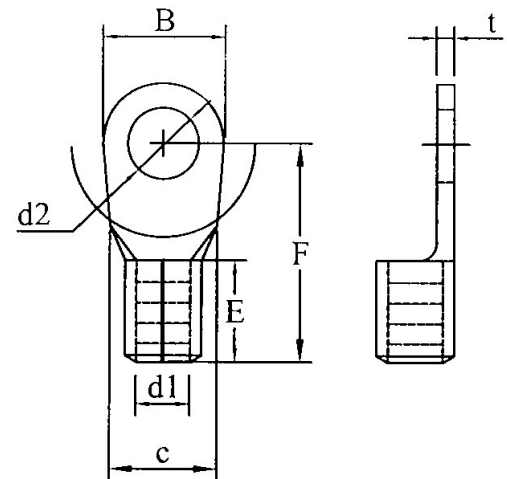


# Ring Terminal



## Features

- Funnel shaped internal barrel for easy wire insertion
- Made of copper
- Non-insulated
- Closed barrel ensures crimp terminal fits securely around the cable
- Applications include cabling and wiring in industrial control systems and industrial machines, automotive applications, communication equipment, power supplies and domestic appliances



## Product Range:

Article Nr.	AWG	E	c	d1	d2	B	F	t	Stud Size
RND 465-01043	6 AWG	10 ±0.5	10.5	5.8±0.3	5.3±0.18	11 ±0.27	20.0±0.5	1.2±0.06	#10
RND 465-01044	6 AWG	10.0±0.5	10.5	5.8±0.3	6.5±0.22	11.0±0.27	20.0±0.5	1.2±0.06	1/4
RND 465-01045	6 AWG	10.0±0.5	10.5	5.8±0.3	8.4±0.22	14.0±0.27	22.0±0.5	1.2±0.06	5/16
RND 465-01046	6 AWG	10.0±0.5	10.5	5.8±0.3	10.5±0.27	18.0±0.27	24.0±0.5	1.2±0.06	3/8
RND 465-01047	6 AWG	10.0±0.5	10.5	5.8±0.3	13.0±0.27	22.0±0.33	26.0±0.5	1.2±0.06	1/2
RND 465-01048	4 AWG	11.0±0.5	12.0	7.5±0.6	5.3±0.18	12.0±0.27	25.0±0.5	1.5±0.06	#10
RND 465-01049	4 AWG	11.0±0.5	12.0	7.5±0.6	6.5±0.22	12 ±0.27	25.0±0.5	1.5±0.06	1/4
RND 465-01050	4 AWG	11.0±0.5	12.0	7.5±0.6	8.4±0.22	16.0±0.27	25.0±0.5	1.5±0.06	5/16
RND 465-01051	4 AWG	11.0±0.5	12.0	7.5±0.6	10.5±0.27	18 ±0.27	26.0±0.5	1.5±0.06	3/8
RND 465-01052	4 AWG	11.0±0.5	12.0	7.5±0.6	13.0±0.27	22.0±0.33	31.0±0.5	1.5±0.06	1/2
RND 465-01053	4 AWG	11.0±0.5	12.0	7.5±0.6	17.0±0.27	28.0±0.33	35.0±0.5	1.5±0.06	5/8
RND 465-01054	2 AWG	12.0±0.5	15.0	9.0±0.6	6.5±0.22	15.0±0.27	26.0±0.5	1.6±0.06	1/4
RND 465-01055	2 AWG	12.0±0.5	15.0	9.0±0.6	8.4±0.22	16.0±0.27	26.0±0.5	1.6±0.06	5/16
RND 465-01056	2 AWG	12.0±0.5	15.0	9.0±0.6	10.5±0.27	18.0±0.27	27.0±0.5	1.6±0.06	3/8
RND 465-01057	2 AWG	12.0±0.5	15.0	9.0±0.6	13.0±0.27	22.0±0.33	31.0±0.5	1.6±0.06	1/2
RND 465-01058	2 AWG	12.0±0.5	15.0	9.0±0.6	17.0±0.27	28.0±0.33	36.0±0.5	1.6±0.06	5/8
RND 465-01059	1/0 AWG	16.0±0.5	17.0	11.0±0.7	6.5±0.22	18.0±0.27	34.0±0.5	1.8±0.08	1/4
RND 465-01060	1/0 AWG	16.0±0.5	17.0	11.0±0.7	8.4±0.22	18.0±0.27	34.0±0.5	1.8±0.08	5/16
RND 465-01061	1/0 AWG	16.0±0.5	17.0	11.0±0.7	10.5±0.27	18.0±0.27	34.0±0.5	1.8±0.08	3/8
RND 465-01062	1/0 AWG	16.0±0.5	17.0	11.0±0.7	13.0±0.27	22.0±0.33	36.0±0.5	1.8±0.08	1/2
RND 465-01063	1/0 AWG	16.0±0.5	17.0	11.0±0.7	17.0±0.27	28.0±0.33	40.0±0.5	1.8±0.08	5/8

Unit: mm