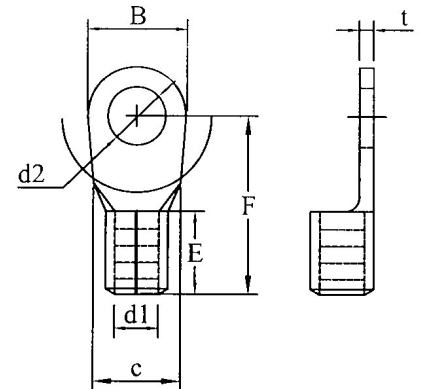


Features

- Funnel shaped internal barrel for easy wire insertion
- Made of copper
- Non-insulated
- Closed barrel ensures crimp terminal fits securely around the cable
- Applications include cabling and wiring in industrial control systems and industrial machines, automotive applications, communication equipment, power supplies and domestic appliances



Product Range:

Article Nr.	AWG	E	c	d1	d2	B	F	t	Stud Size
RND 465-01016	22-16 AWG	5 ±0.5	4.0	1.6±0.25	2.7±0.14	6 ±0.18	11.0±0.5	0.8±0.05	#3
RND 465-01017	22-16 AWG	5.0±0.5	4.0	1.6±0.25	3.2±0.18	6.0±0.18	11.0±0.5	0.8±0.05	#4
RND 465-01018	22-16 AWG	5.0±0.5	4.0	1.6±0.25	3.7±0.18	6.0±0.18	11.0±0.5	0.8±0.05	#6
RND 465-01019	22-16 AWG	5.0±0.5	4.0	1.6±0.25	4.3±0.18	8 ±0.22	12.0±0.5	0.8±0.05	#8
RND 465-01020	22-16 AWG	5.0±0.5	4.0	1.6±0.25	5.3±0.18	10.0±0.22	13.0±0.5	0.8±0.05	#10
RND 465-01021	22-16 AWG	5.0±0.5	4.0	1.6±0.25	6.5±0.18	11.0±0.22	14.0±0.5	0.8±0.05	1/4
RND 465-01022	22-16 AWG	5.0±0.5	4.0	1.6±0.25	8.4±0.25	14 ±0.25	17.0±0.5	0.8±0.05	5/16
RND 465-01023	22-16 AWG	5.0±0.5	4.0	1.6±0.25	10.5±0.25	18.0±0.25	19.0±0.5	0.8±0.05	3/8
RND 465-01024	16-14 AWG	5.0±0.5	4.5	2.3±0.25	3.2±0.18	6 ±0.22	11.0±0.5	0.8±0.05	#4
RND 465-01025	16-14 AWG	5.0±0.5	4.5	2.3±0.25	3.7±0.18	6.0±0.22	11.0±0.5	0.8±0.05	#6
RND 465-01026	16-14 AWG	5.0±0.5	4.5	2.3±0.25	4.3±0.18	8.0±0.22	12.0±0.5	0.8±0.05	#8
RND 465-01027	16-14 AWG	5.0±0.5	4.5	2.3±0.25	5.3±0.18	10.1±0.22	14.0±0.5	0.8±0.05	#10
RND 465-01028	16-14 AWG	5.0±0.5	4.5	2.3±0.25	6.5±0.22	11.0±0.27	16.0±0.5	0.8±0.05	1/4
RND 465-01029	16-14 AWG	5.0±0.5	4.5	2.3±0.25	8.4±0.25	14.0±0.25	17.0±0.5	0.8±0.05	5/16
RND 465-01030	16-14 AWG	5.0±0.5	4.5	2.3±0.25	10.5±0.25	18.0±0.25	19.0±0.5	0.8±0.05	3/8
RND 465-01031	12-10 AWG	6.0±0.5	6.0	3.4±0.3	4.3±0.18	8.0±0.22	14.0±0.5	1.0±0.05	#8
RND 465-01032	12-10 AWG	6.0±0.5	6.0	3.4±0.3	5.3±0.18	10.1±0.22	15.0±0.5	1.0±0.05	#10
RND 465-01033	12-10 AWG	6.0±0.5	6.0	3.4±0.3	6.5±0.22	11.1±0.27	16.0±0.5	1.0±0.05	1/4
RND 465-01034	12-10 AWG	6.0±0.5	6.0	3.4±0.3	8.4±0.22	14.1±0.27	19.0±0.5	1.0±0.05	5/16
RND 465-01035	12-10 AWG	6.0±0.5	6.0	3.6±0.3	10.5±0.27	18.0±0.27	21.0±0.5	1.0±0.05	3/8
RND 465-01036	12-10 AWG	6.0±0.5	6.0	3.6±0.3	13.0±0.27	19.0±0.27	23.0±0.5	1.0±0.05	1/2
RND 465-01037	8 AWG	8.0±0.5	8.0	4.5±0.3	4.3±0.18	10.0±0.22	16.0±0.5	1.1±0.06	#8
RND 465-01038	8 AWG	8.0±0.5	8.0	4.5±0.3	5.3±0.18	10.0±0.22	16.0±0.5	1.1±0.06	#10
RND 465-01039	8 AWG	8.0±0.5	8.0	4.5±0.3	6.5±0.22	11.0±0.27	17.0±0.5	1.1±0.06	1/4
RND 465-01040	8 AWG	8.0±0.5	8.0	4.5±0.3	8.4±0.22	14.0±0.27	20.0±0.5	1.1±0.06	5/16
RND 465-01041	8 AWG	8.0±0.5	8.0	4.5±0.3	10.5±0.27	18.0±0.27	21.0±0.5	1.1±0.06	3/8
RND 465-01042	8 AWG	8.0±0.5	8.0	4.5±0.3	13.0±0.27	22.0±0.33	23.0±0.5	1.1±0.06	1/2

Unit: mm