

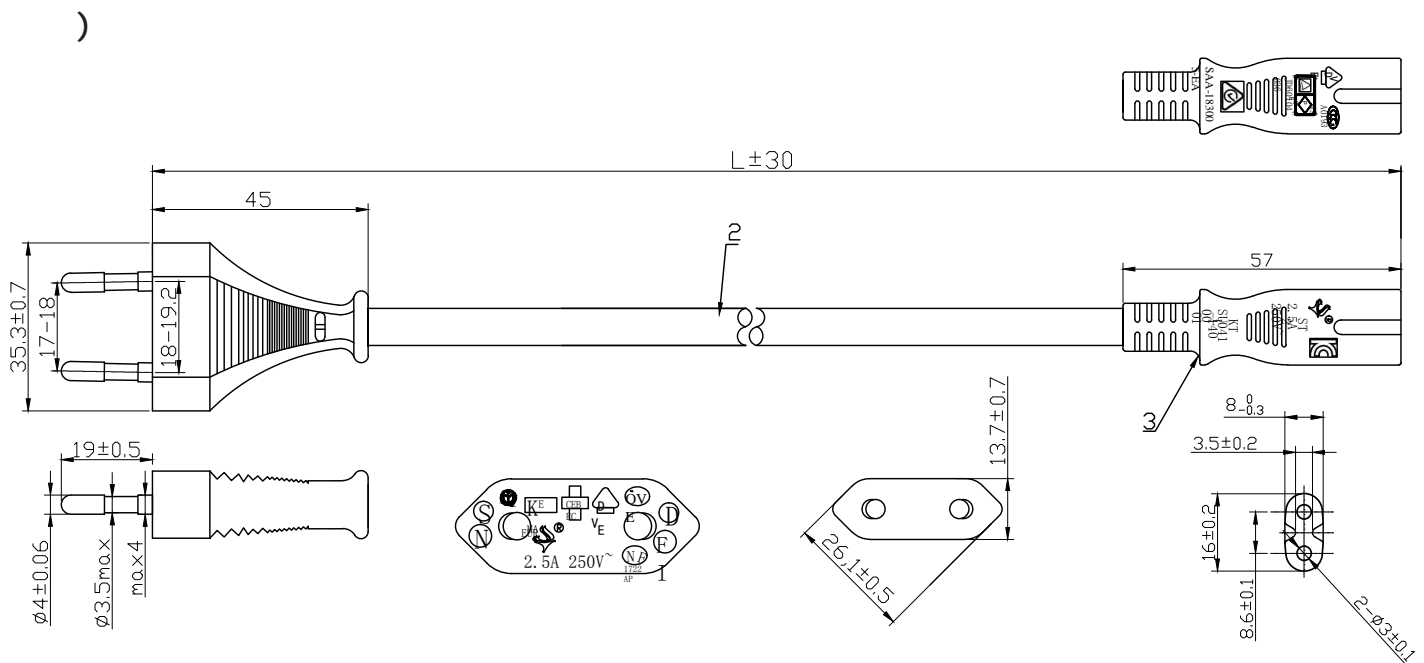
## Features

- Integral lead with a non-terminated end
- The plug and lead assembly has a 2 core 0.75 mm<sup>2</sup> harmonised cable
- Each individual conductor is stripped



## Specification

Connector A	Euro Male
Connector B	Open End
Connector Orientation	Straight
Cross-Section	0.75 mm <sup>2</sup>
Current Rating	2.5 A
Jacket Colour	White
Jacket Material	PVC
Length (L)	2 m
Voltage Rating Max.	250 V



### Notes:

- 1.Cable:H03VV2-F 2\*0.75<sup>2</sup>mm Jacket 3.5±0.1\*5.7±0.1 Conductor 24\*0.198
- 2.Mark: <math>\triangleleft VDE \triangleright</math> H03VVH2-F 2\*0.75mm<sup>2</sup>
- 3.Test:Hi-pot: Inner Voltage AC2500V/1S , External Voltage AC4500V/1S  
current leakage 1mA, insulation resistance no less than 50M  $\Omega$ , no strike out;

**Art. Nr.**  
**FB8 (\*) ! \$1015**