

Features

- Can be used to extend the present power cable that is used for mains-powered devices such as PC's.
- Ideal for connecting to far away or hard to reach Schuko plugs and sockets.
- Suitable for use in many European countries

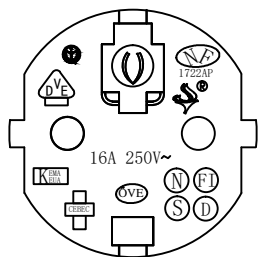
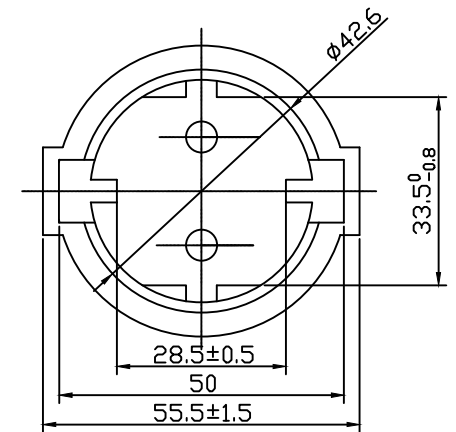
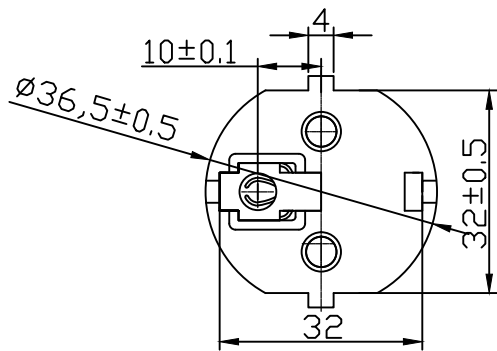
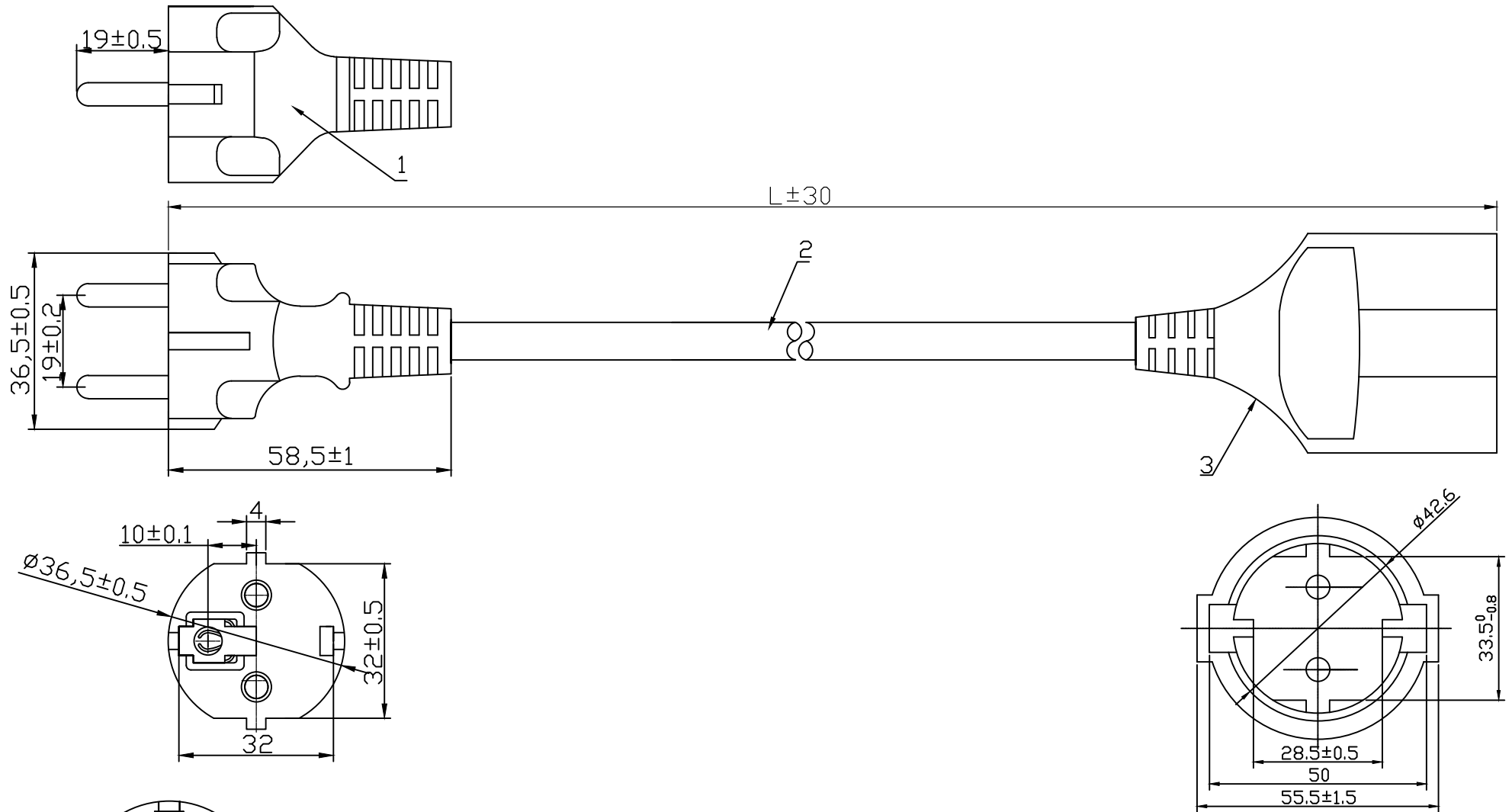


Specification

Connector A	Type F (CEE 7/4)
Connector B	Type F (CEE 7/3)
Connector Orientation	Straight
Cross-Section	1.5 mm ²
Current Rating	16 A
Jacket Colour	White
Jacket Material	PVC
Length (L)	3 m
Voltage Rating Max.	250 V

Note: For detailed drawing please see page 2 of data sheet

Art. Nr.
RND 465-01011



Notes:

- 1.Cable:H05VV-F 3G1.5 mm² Jacket $\varnothing 7.9\pm 0.1$ Conductor 48*0.198
- 2.Mark: \triangleleft VDE \triangleright H05VV-F 3G1.5 mm²
- 3.Test:Hi-pot: Inner Voltage AC2500V/1S , External Voltage AC4500V/1S
current leakage 1mA, insulation resistance no less than 50M Ω , no strike out;