

## Features

- Can be used to extend the present power cable that is used for mains-powered devices such as PC's.
- Ideal for connecting to far away or hard to reach Schuko plugs and sockets.
- Suitable for use in many European countries

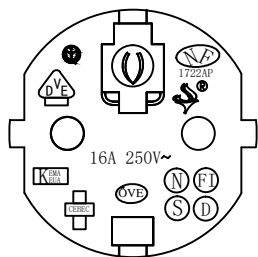
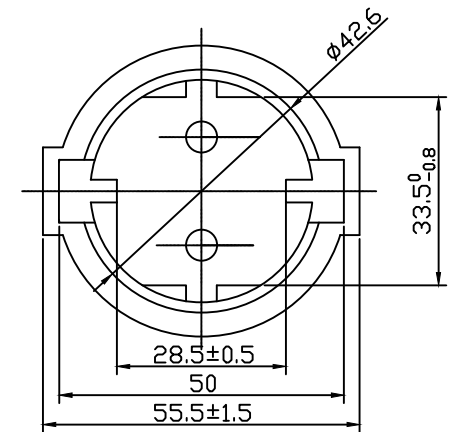
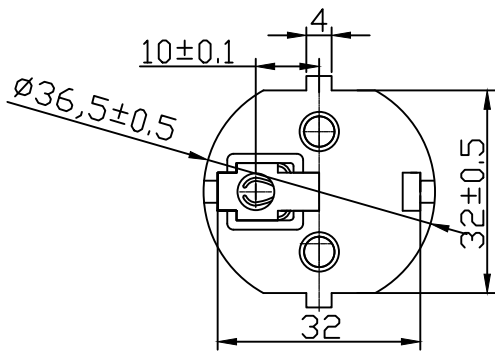
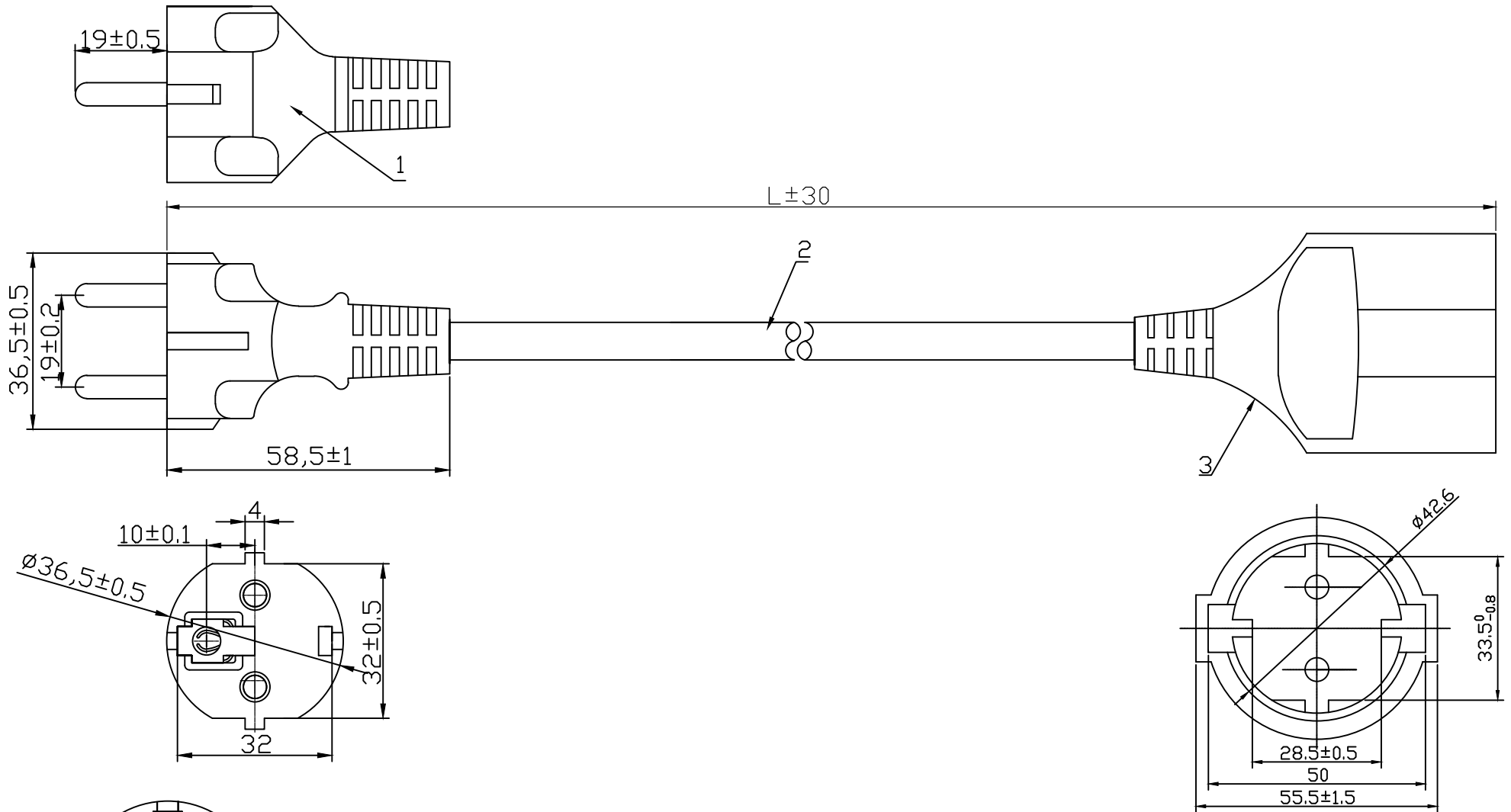


## Specification

Connector A	Type F (CEE 7/4)
Connector B	Type F (CEE 7/3)
Connector Orientation	Straight
Cross-Section	1.5 mm <sup>2</sup>
Current Rating	16 A
Jacket Colour	White
Jacket Material	PVC
Length (L)	10 m
Voltage Rating Max.	250 V

Note: For detailed drawing please see page 2 of data sheet

Art. Nr.  
RND 465-00967



**Notes:**

- 1.Cable:H05VV-F 3G1.5 mm<sup>2</sup> Jacket  $\varnothing 7.9\pm 0.1$  Conductor 48\*0.198
- 2.Mark:  $\triangleleft$  VDE  $\triangleright$  H05VV-F 3G1.5 mm<sup>2</sup>
- 3.Test:Hi-pot: Inner Voltage AC2500V/1S , External Voltage AC4500V/1S  
current leakage 1mA, insulation resistance no less than 50M  $\Omega$ , no strike out;