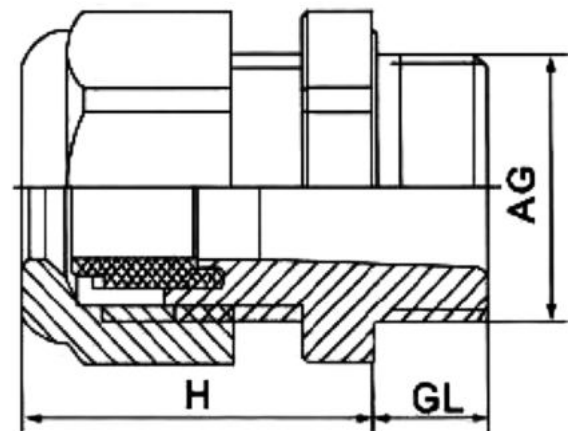


SPECIFICATION:

Material	Nylon
Protection rating	IP 68
Temperature range	-40...+100 °C



PRODUCT RANGE:

Art. Nr.	Thread	Clamping range	Colour	GL	H	AG	Spanner size	Panel mounting hole
RND 465-00791	M14 x 1.5	4...8 mm	Black	8 mm	26 mm	14 mm	19 mm	14-14.3 mm
RND 465-00792	M18 x 1.5	5...10 mm	Black	8 mm	27 mm	18 mm	22 mm	18-18.3 mm
RND 465-00793	M22 x 1.5	10...14 mm	Black	10 mm	30 mm	22 mm	27 mm	22-22.3 mm
RND 465-00794	M24 x 1.5	12...15 mm	Black	10 mm	30 mm	24 mm	27 mm	24-24.3 mm
RND 465-00795	M27 x 1.5	13...18 mm	Black	10 mm	35 mm	27 mm	33 mm	27-27.3 mm
RND 465-00796	M30 x 1.5	12...21 mm	Black	11 mm	34 mm	30 mm	35/36 mm	30-30.3 mm
RND 465-00797	M32 x 1.5	12...21 mm	Black	11 mm	34 mm	32 mm	36/37 mm	32-32.3 mm
RND 465-00798	M36 x 1.5	18...25 mm	Black	12 mm	40 mm	36 mm	41/42 mm	36-36.3 mm
RND 465-00799	M40 x 1.5	22...32 mm	Black	14 mm	48 mm	40 mm	52/53 mm	40-40.3 mm
RND 465-00800	PG13.5	6...12 mm	Black	9 mm	28 mm	20.4 mm	24 mm	20.4-20.7 mm
RND 465-00801	PG16	10...14 mm	Black	10 mm	30 mm	22.5 mm	27 mm	22.5-22.8 mm
RND 465-00802	PG21	13...18 mm	Black	10 mm	35 mm	28.3 mm	33 mm	28.3-28.6 mm
RND 465-00803	M14 x 1.5	4...8 mm	Grey	8 mm	26 mm	14 mm	19 mm	14-14.3 mm
RND 465-00804	M18 x 1.5	5...10 mm	Grey	8 mm	27 mm	18 mm	22 mm	18-18.3 mm
RND 465-00805	M22 x 1.5	10...14 mm	Grey	10 mm	30 mm	22 mm	27 mm	22-22.3 mm
RND 465-00806	M24 x 1.5	12...15 mm	Grey	10 mm	30 mm	24 mm	27 mm	24-24.3 mm
RND 465-00807	M27 x 1.5	13...18 mm	Grey	10 mm	35 mm	27 mm	33 mm	27-27.3 mm
RND 465-00808	M30 x 1.5	12...21 mm	Grey	11 mm	34 mm	30 mm	35/36 mm	30-30.3 mm
RND 465-00809	M32 x 1.5	12...21 mm	Grey	11 mm	34 mm	32 mm	36/37 mm	32-32.3 mm
RND 465-00810	M36 x 1.5	18...25 mm	Grey	12 mm	40 mm	36 mm	41/42 mm	36-36.3 mm
RND 465-00811	M40 x 1.5	22...32 mm	Grey	14 mm	48 mm	40 mm	52/53 mm	40-40.3 mm
RND 465-00812	PG13.5	6...12 mm	Grey	9 mm	28 mm	20.4 mm	24 mm	20.4-20.7 mm
RND 465-00813	PG16	10...14 mm	Grey	10 mm	30 mm	22.5 mm	27 mm	22.5-22.8 mm
RND 465-00814	PG21	13...18 mm	Grey	10 mm	35 mm	28.3 mm	33 mm	28.3-28.6 mm