

Brushless AC Axial Fan

Features

- Smooth and efficient air flow
- Impedance protected motor
- Dual ball double sealed bearing system
- Ideal for industrial applications



Mechanical Specification

Housing Material	Aluminium
Bearing	Dual Ball Bearing
Termination Type	Lead Wire, 200 mm
Impeller	5 Blades, Black PBT, Glass Fiber Reinforce, UL94V-0
Dimensions	120 x 120 x 25 mm
Motor Structure	Shaded Pole
Weight	240 g

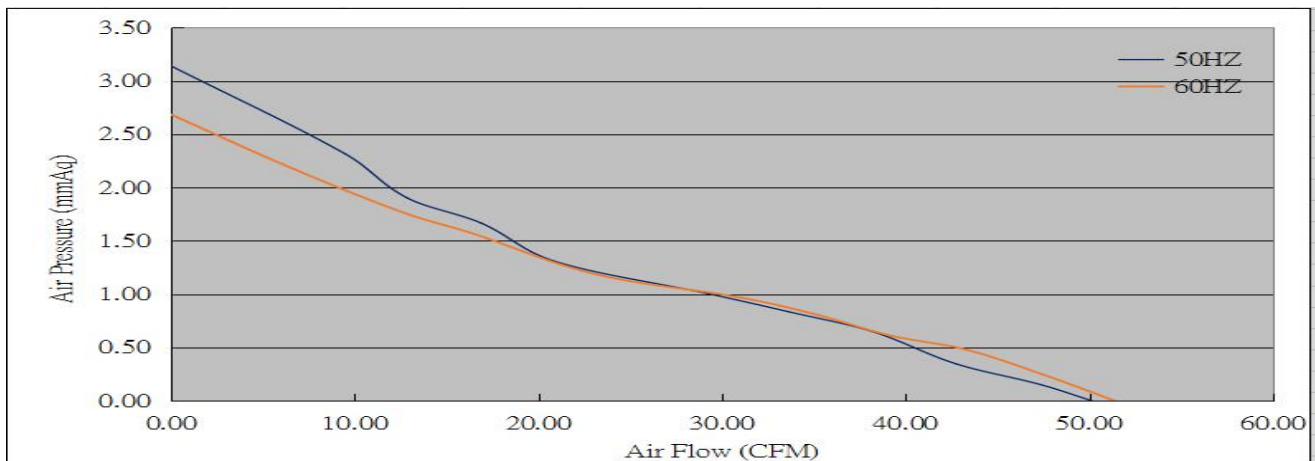
Electrical Characteristics

	In Free Air	At Rated Voltage
Rated Voltage	230 V / 50 Hz	230 V / 60 Hz
Rated Current	70 mA (90 mA max.)	60 mA (80 mA max.)
Label Current	70 mA	
Rated Input Power	14.1 W \pm 10%	11.2 W \pm 10%

Efficiency

	In Free Air	At Rated Voltage
Rated Speed	2000 \pm 250 rpm	2000 \pm 250 rpm
Maximum Airflow	50.15 CFM (45.13 min.)	51.39 CFM (46.25 min.)
Maximum Static Air Pressure	3.14 mmAq (2.54 min.)	2.68 mmAq (2.17 min.)

Performance Curve



Test Conditions: (1).Rated Voltage;(2).Room Temperature, 65% Humidity

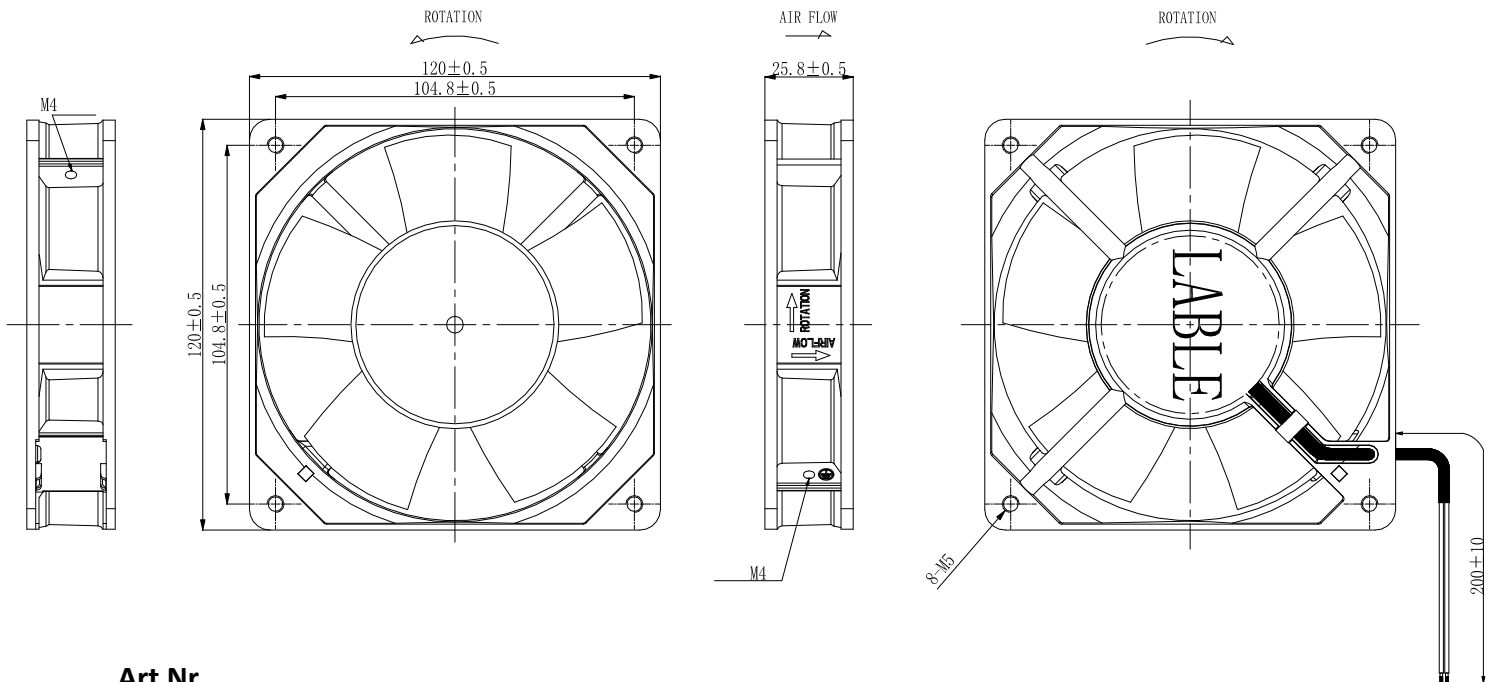
Brushless DC Axial Fan



Characteristics

Operating Voltage	198 ... 242 V
Starting Voltage	175 V
Locked Current	80 mA
Operating Temperature	-10 ... 70°C
Storage Temperature	-20 ... 80°C
Insulated Type	Class B (130°C)
Safety Standard	UL, CUL, CCC, CE, RoHS, TUV
Motor Protection	Impedance Protected
Noise Level	35.4 dBA (38.4 max.)
Environment Humidity	10 %(RH)45°C for 24 hours & 98% (RH) 45°C for 24 hours
Insulation Resistance	10 MΩ @ 500 VDC
Dielectric Strength	2000 VAC / 1mA for 1 min.
Service Life	50000 hours
Tensile Strength of Connector	1 kg for 15 sec.

Drawing



Art Nr.
RND 460-00097