

# Brushless DC Axial Fan

## Features

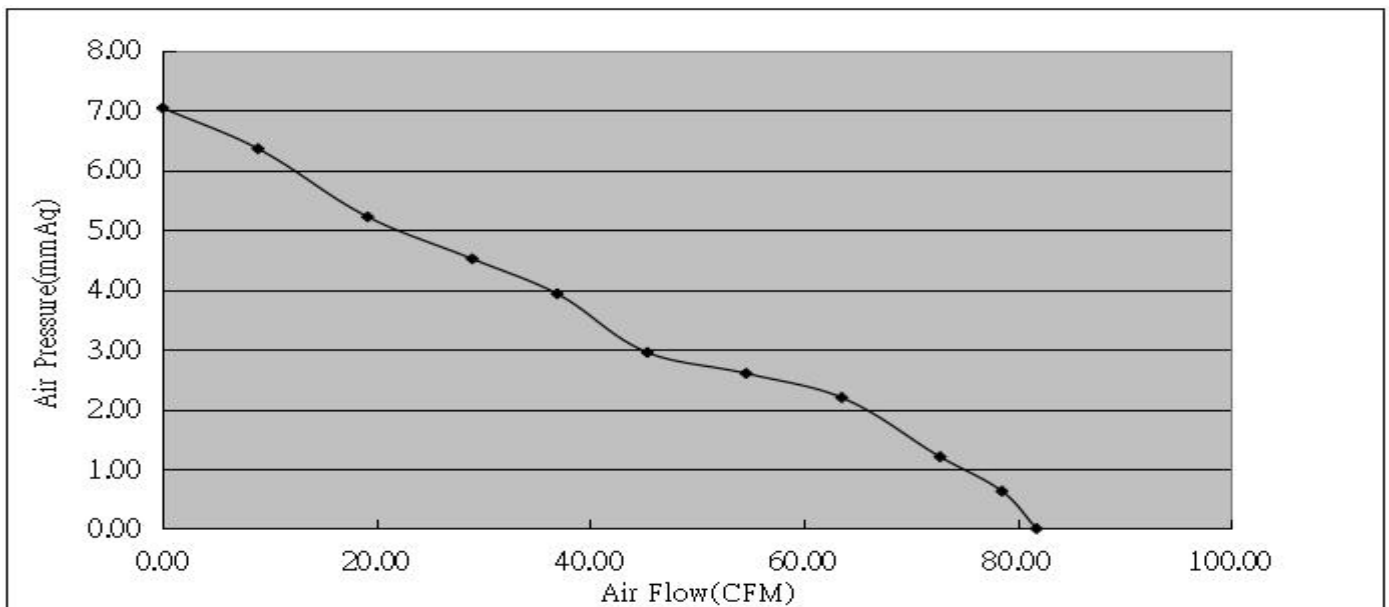
- Smooth and efficient air flow
- Impedance protected motor
- Dual ball double sealed bearing system
- Ideal for industrial applications



## Specification

|                         |                                |
|-------------------------|--------------------------------|
| Dimensions              | 120 x 120 x 25 mm              |
| Fan Frame               | Black, PBT (UL94-V0)           |
| Fan Impeller            | Black, PBT (UL94-V0), 7 Blades |
| Bearing                 | Dual Ball Bearing              |
| Rated Voltage           | 24 VDC                         |
| Operating Voltage Range | 21.6 ... 26.4 VDC              |
| Start-Up Voltage        | 14 VDC                         |
| Rated Current           | 180 mA (max. 270)              |
| Label Current           | 300 mA                         |
| Rated Power             | 4.32 W (max. 6.48 W)           |
| Rated Speed             | 3000 ± 10% rpm                 |
| Airflow                 | 82.01 CFM (min.73.51)          |
| Air Pressure            | 7.07 mmAq (min.5.73)           |
| Noise Level             | 43.5 dBA (max. 46.5)           |
| Lead Wire               | UL 1430 / 24 AWG x 200 mm      |
| Service Life            | 70000 hours @ 40°C             |

## Performance Curve



Test Conditions: (1).Rated Voltage;(2).Room Temperature, 65% Humidity

# Brushless DC Axial Fan



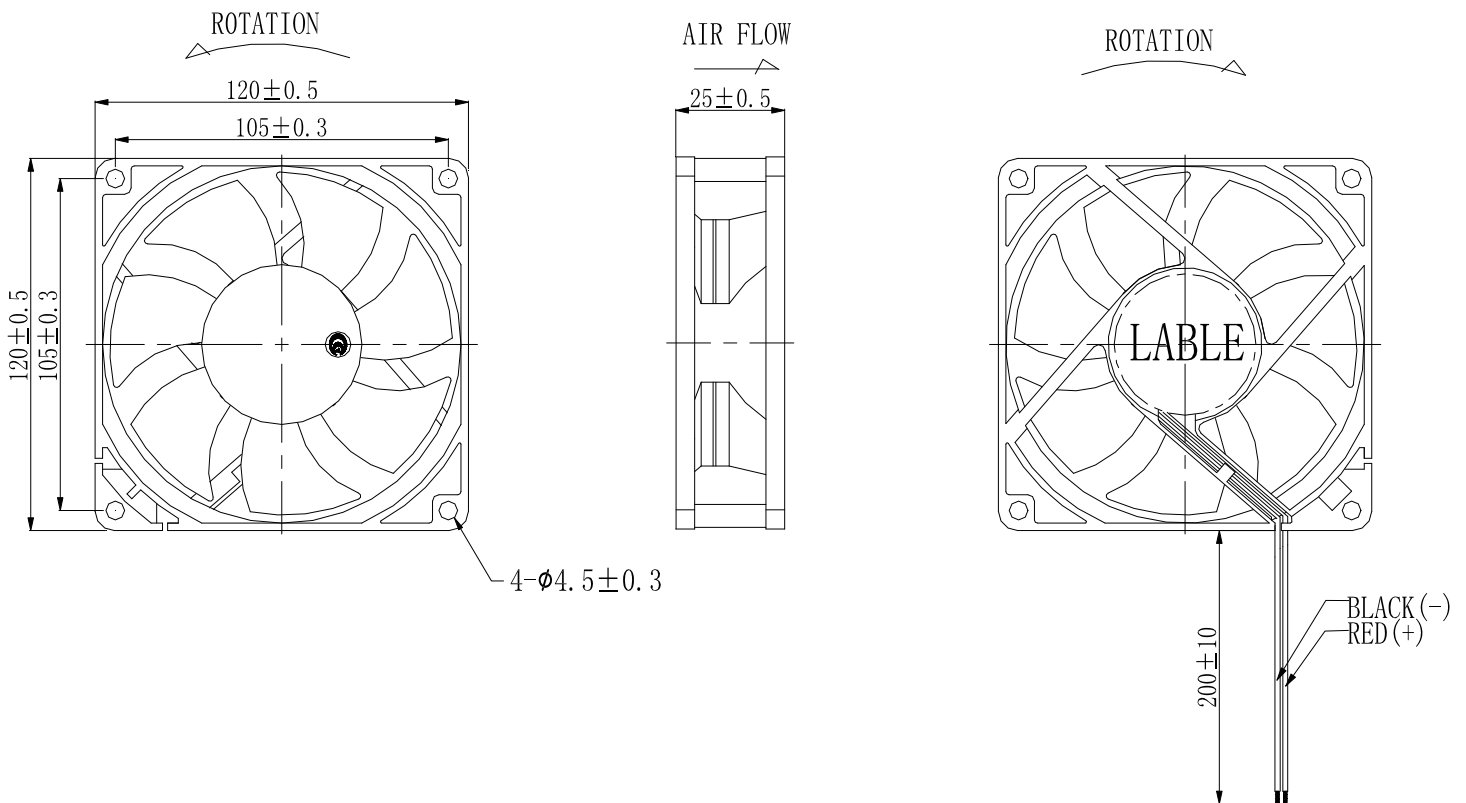
## Environmental

|                       |               |
|-----------------------|---------------|
| Operating Temperature | -10 ... 70 °C |
| Storage Temperature   | -40 ... 75 °C |
| Operating Humidity    | 35 ... 85%RH  |
| Storage Humidity      | 35 ... 85%RH  |

## Electrical Characteristics

|                       |                                      |
|-----------------------|--------------------------------------|
| Insulation Resistance | 10 MOhm @ 500 VDC                    |
| Dielectric Strength   | Max. 5 mA @ 500VAC/60Hz for 1 minute |
| Insulated Type        | UL: Class A (105°C)                  |

## Drawing



**Art Nr.**  
**RND 460-00093**