

DC Axial Fan

Features

- Electronically commutated DC motor
- With polarity reversal and blocking protection
- High output, quiet running
- Connecting wires 300 mm AWG 24
- Speed control
- Signal output



Specification

Rated Voltage	24 VDC
Operating Voltage	14 ... 26.4 V
Rated Speed	2500 rpm
Rated Current	200 mA
Rated Power	4.8 W
Max. Airflow	85.5 CFM, 145.3 m ³ /h
Max. Air Pressure	0.2 inch-H ₂ O, 5 mm-H ₂ O
Noise	36 dBA, 40 dBA max.
Wire	2 Leads - 300 mm
Insulation Resistance	10 MOhm min. @ 500 VDC
Dielectric Strength	5 mA max @ 500 VAC 60 Hz 1 min.
Service Life	30000 hours @ 40 °C

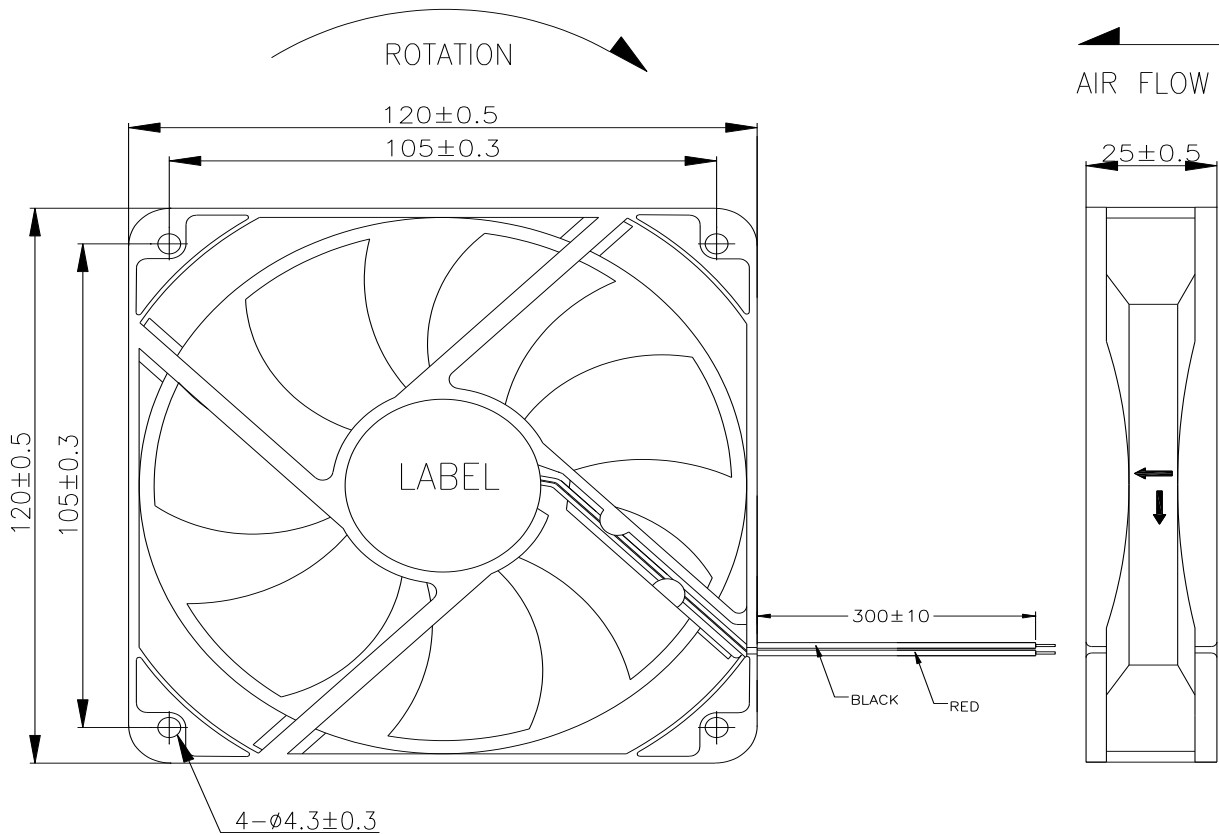
Mechanical

Fan Size (See Dimension Drawing in Page 2)	120 x 120 x 25 mm
Frame	Thermoplastic Black / PBT 15% gf of UL94-V0
Fan Blade	Thermoplastic Black / PBT 15% gf of UL94-V0
Bearing	Sleeve Bearing
Weight	152 g

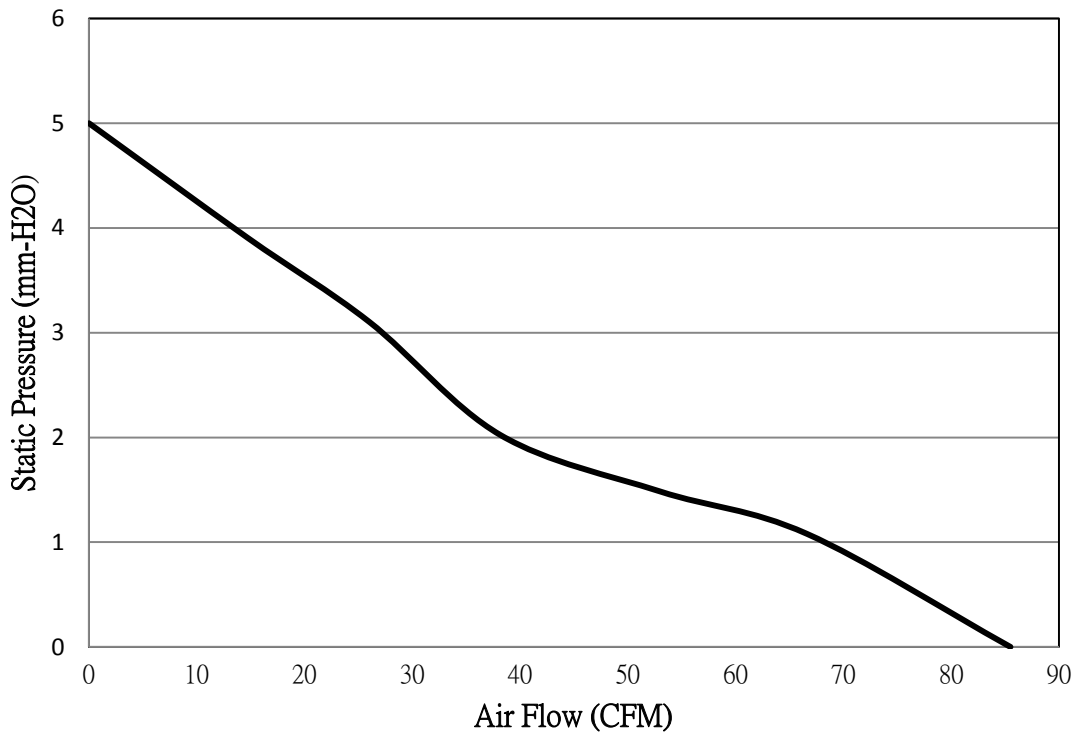
Environment

Ambient Operating Temperature	-10 ... 60 °C
Storage Temperature	-40 ... 75 °C
Operation Humidity	5 ... 90 % RH
Storage Humidity	5 ... 95 % RH

DC Axial Fan



P-Q Curve



Art Nr.

RND 460-00079