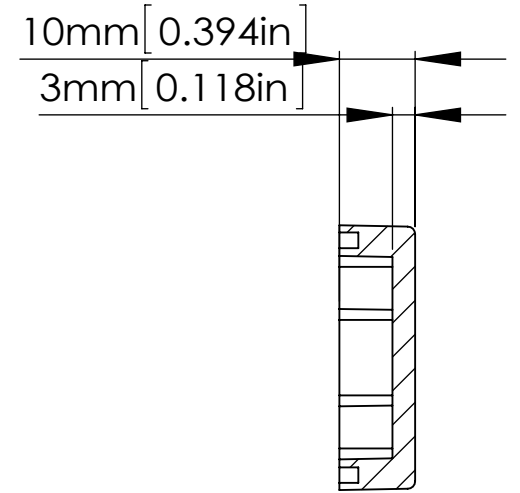
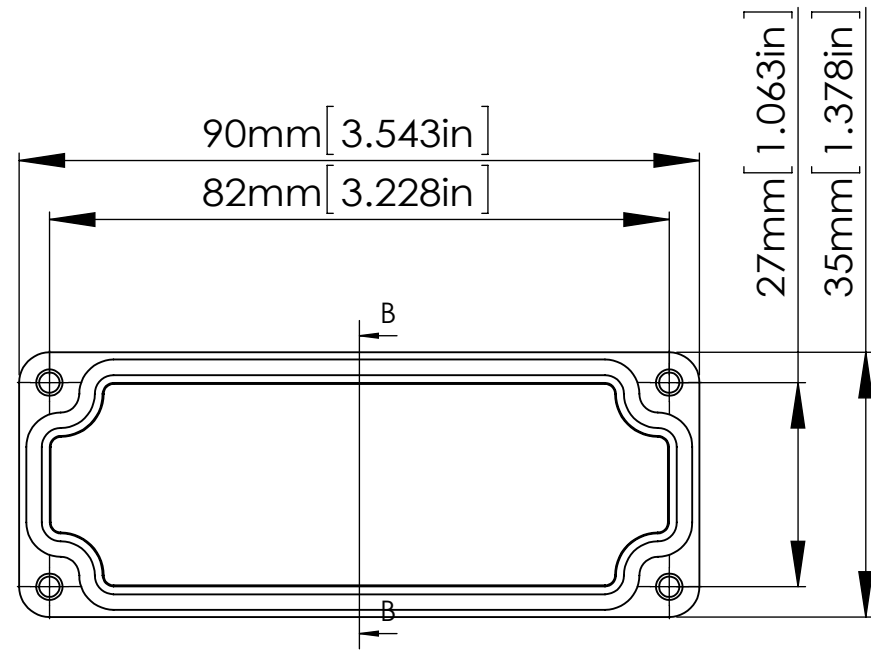
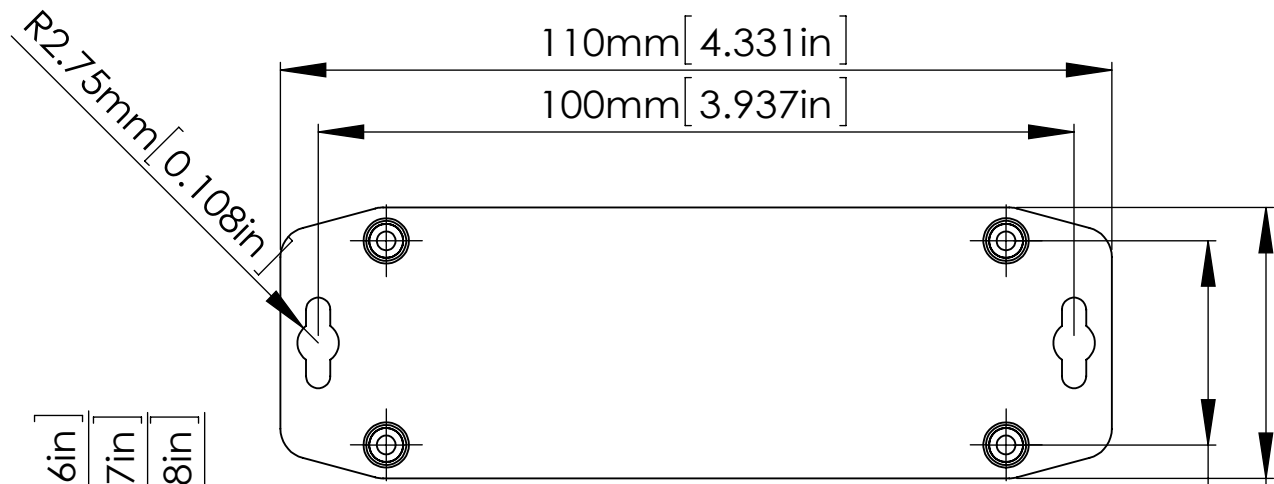


FOUR (4) M3X12 mm
FLAT HEAD SCREWS.

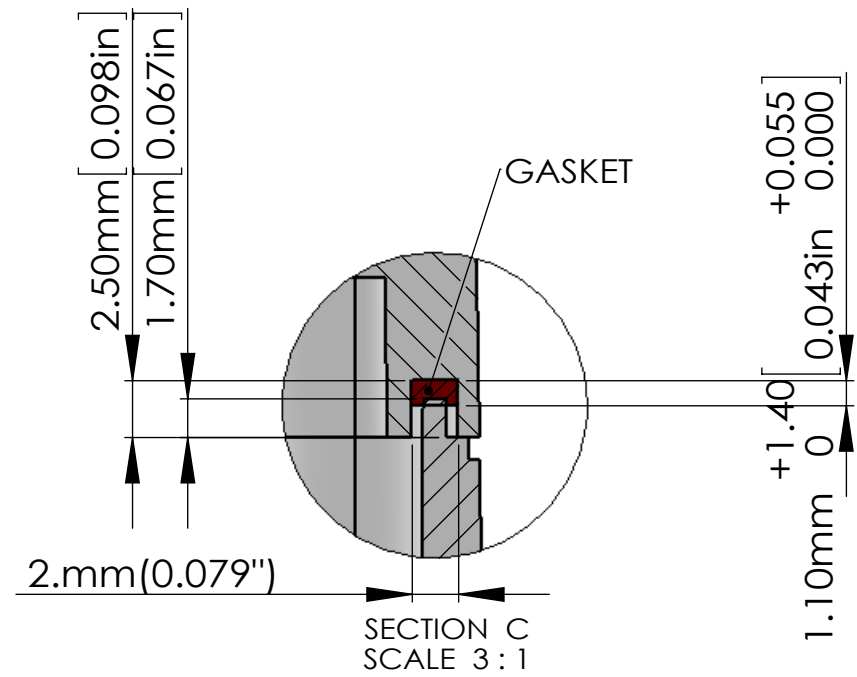


SECTION B-B
SCALE 1 : 1

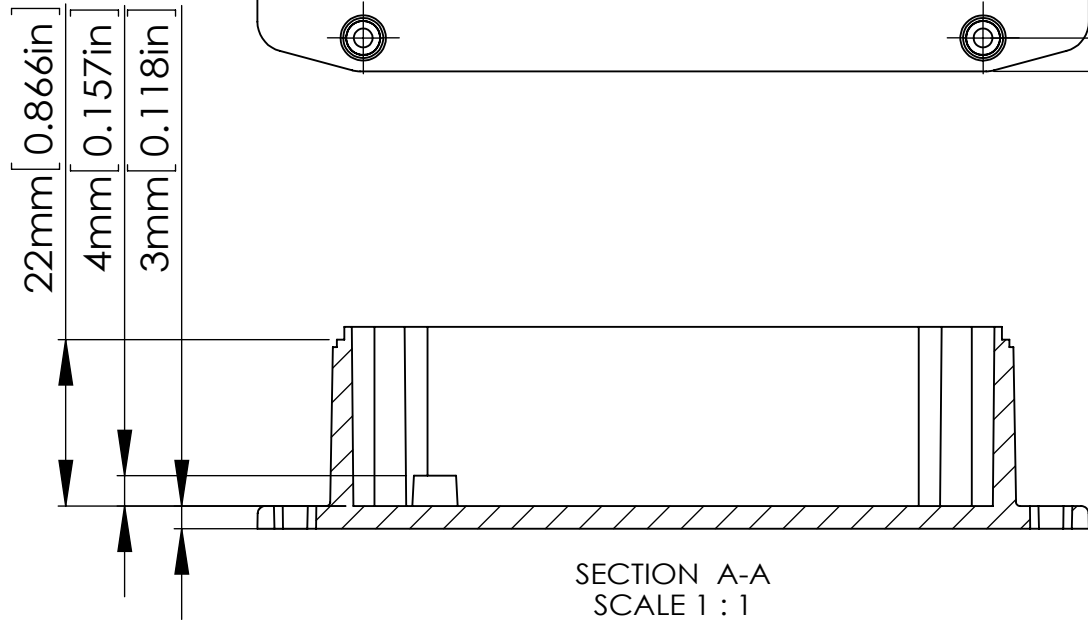


22mm [0.866in]
4mm [0.157in]
3mm [0.118in]

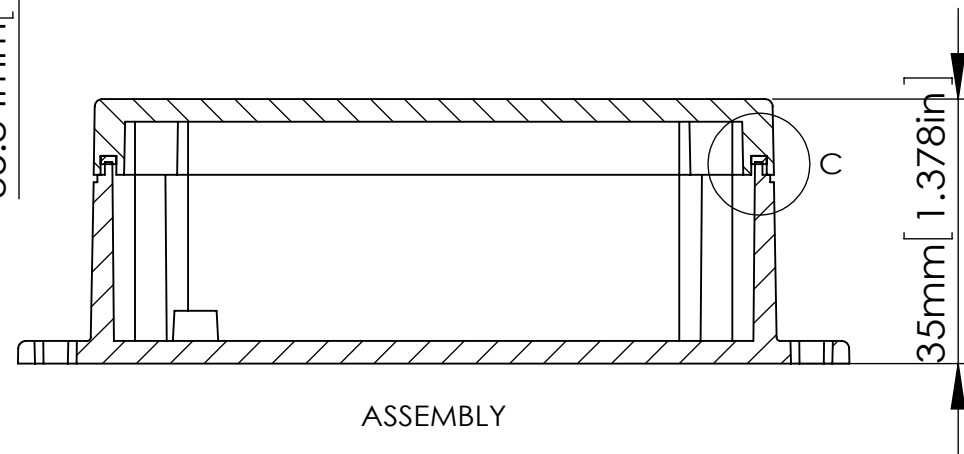
27mm [1.063in]
35.84mm [1.411in]



SECTION C
SCALE 3 : 1



SECTION A-A
SCALE 1 : 1



ASSEMBLY

According to ISO 2768-m	
Measuring DIM=L	Tolerances
0.5<L<=3.0mm	±0.1mm
3.0<L<=6.0 mm	±0.1mm
6.0<L<=30.0 mm	±0.2mm
30.0<L<=120.0 mm	±0.3mm
120.0<L<=400.0 mm	±0.5mm
400.0<L<=1000.0 mm	±0.8mm