

Aluminium alloy Enclosure

262 x 182 x 90 mm

Aluminium Enclosures with EMI Protection



PRODUCT RANGE:
Art. Nr.
RND 455-00479



FEATURES:

Moulded aluminium enclosures with sealing gaskets
Standoffs for horizontal PCB mounting
Outside holes for wall mounting and lid fasteners
Full protection against electromagnetic and radio interference

SPECIFICATION:

Colour	grey
Material	Aluminium alloy
Dimensions L x W x H	262 x 182 x 90 mm
Protection rating	IP 67
Mounting	Screws

Aluminium alloy Enclosure 262 x 182 x 90 mm

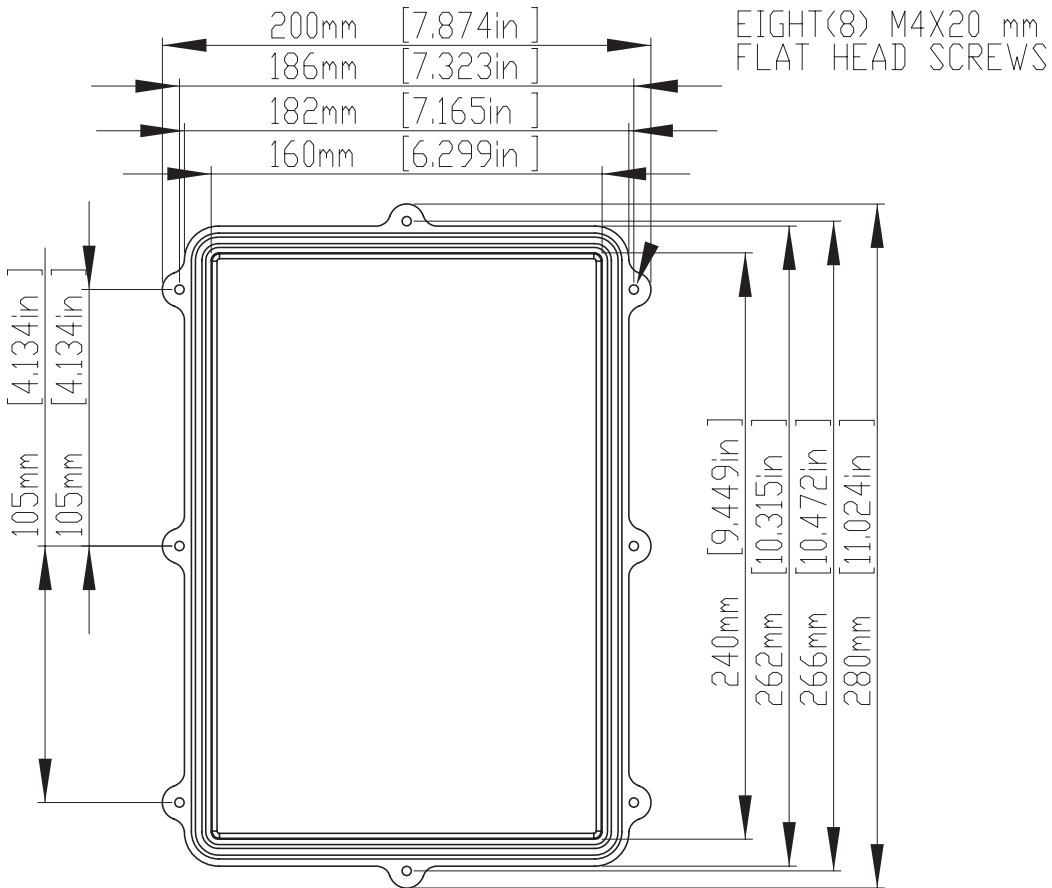
Aluminium Enclosures with EMI Protection



PRODUCT RANGE:

Art. Nr.

RND 455-00479



Aluminium alloy Enclosure 262 x 182 x 90 mm

Aluminium Enclosures with EMI Protection

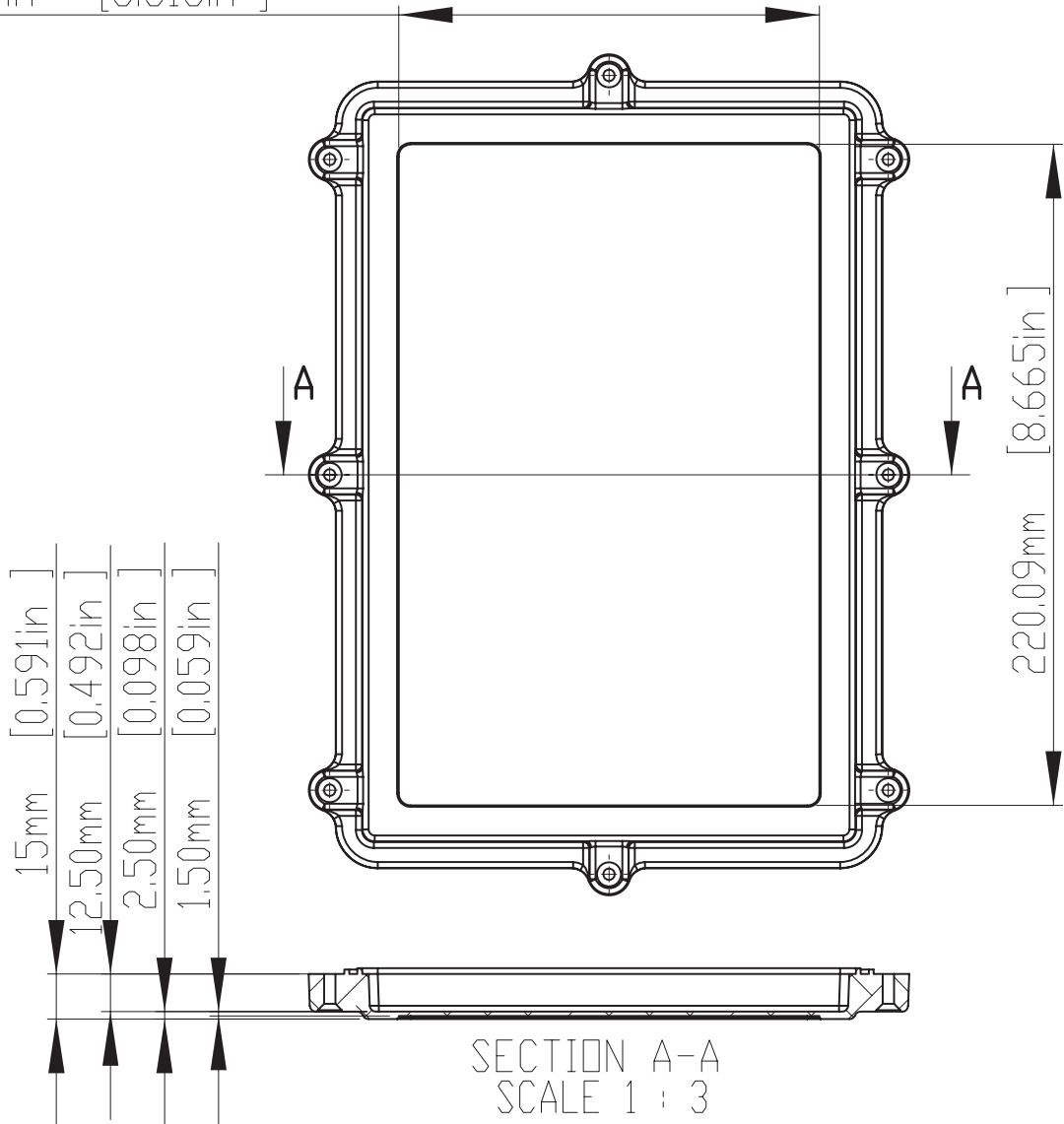


PRODUCT RANGE:

Art. Nr.

RND 455-00479

140.09mm [5.515in]



SECTION A-A
SCALE 1 : 3

Aluminium alloy Enclosure 262 x 182 x 90 mm

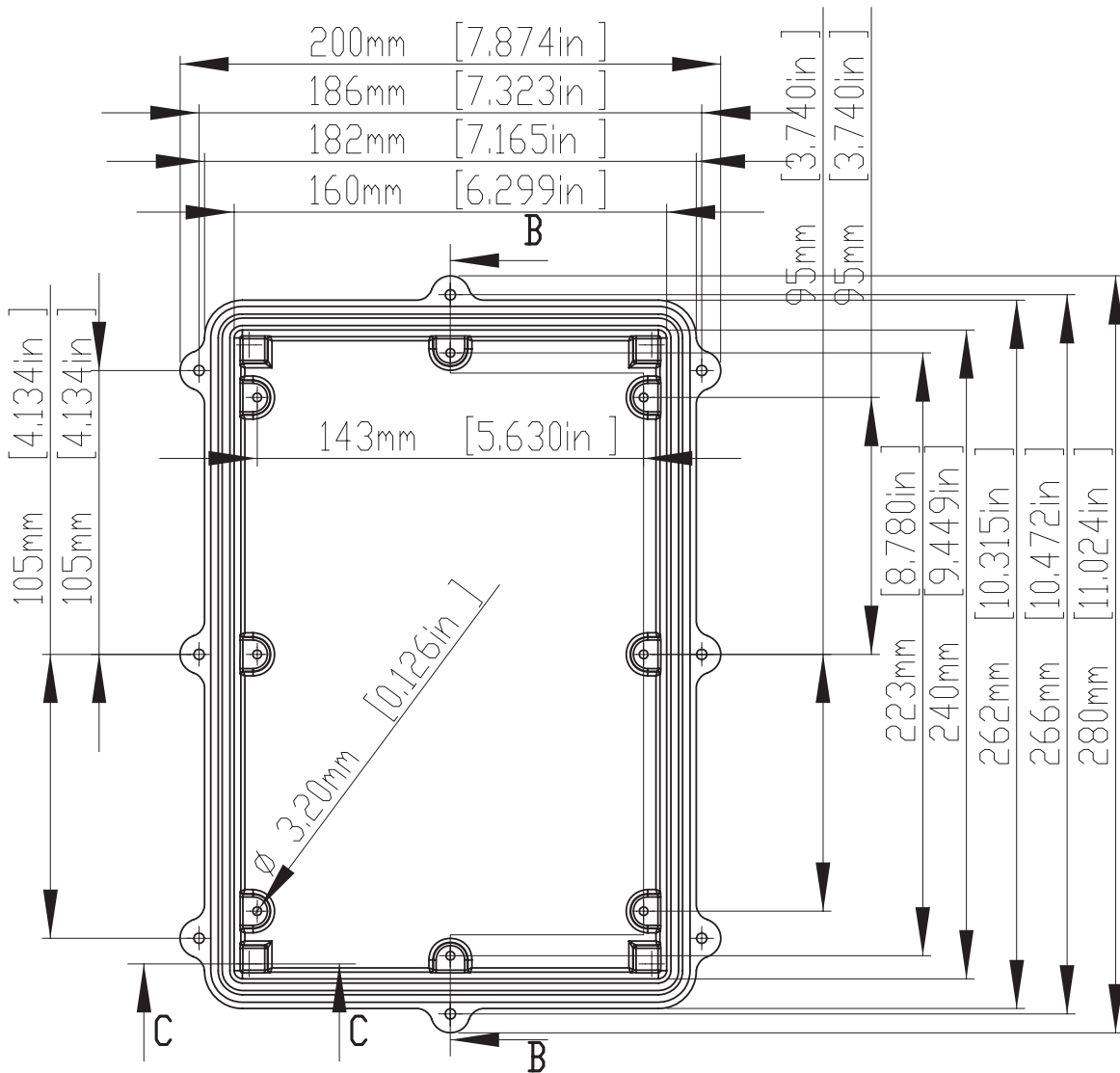
Aluminium Enclosures with EMI Protection



PRODUCT RANGE:

Art. Nr.

RND 455-00479



Aluminium alloy Enclosure

262 x 182 x 90 mm

Aluminium Enclosures with EMI Protection

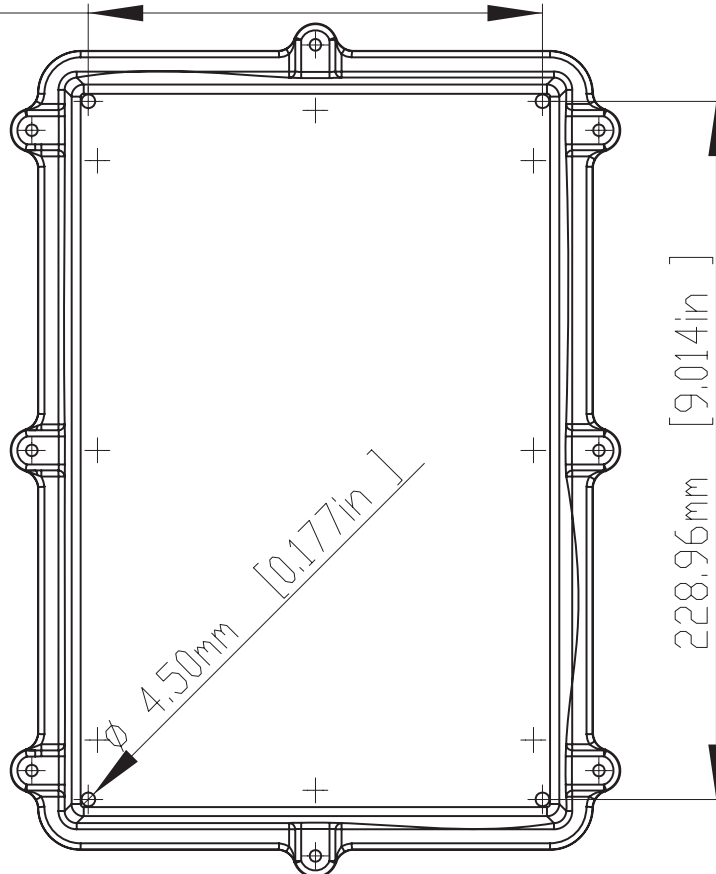


PRODUCT RANGE:

Art. Nr.

RND 455-00479

148.96mm [5.865in]

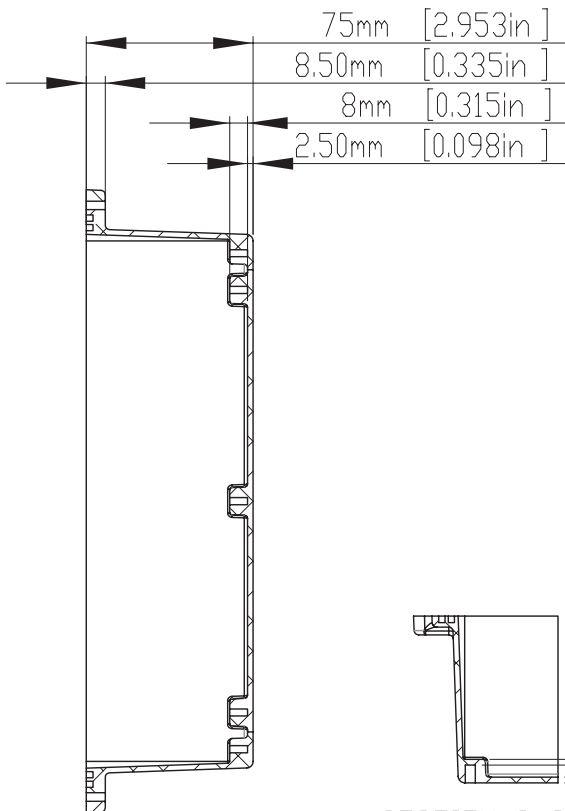


Aluminium alloy Enclosure 262 x 182 x 90 mm

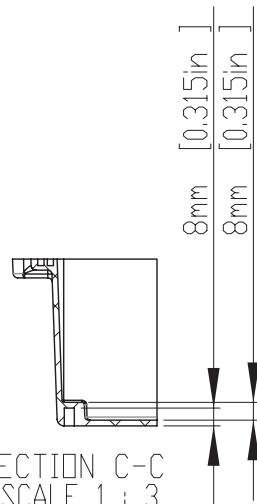
Aluminium Enclosures with EMI Protection



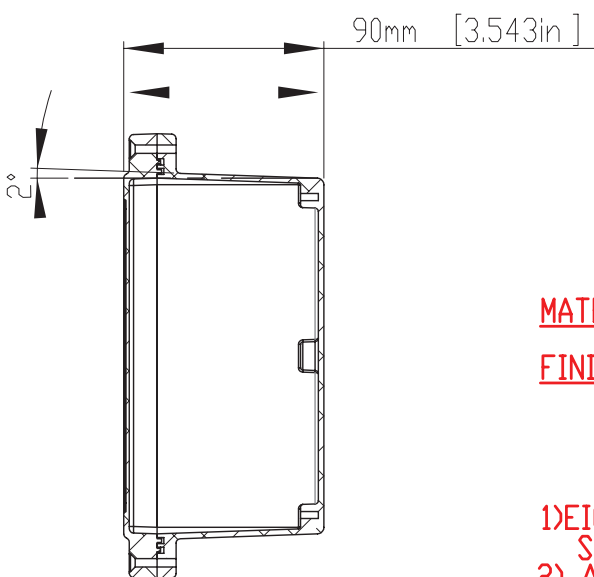
PRODUCT RANGE:
Art. Nr.
RND 455-00479



SECTION B-B
SCALE 1 : 3



SECTION C-C
SCALE 1 : 3



MATERIAL: ALUMINUM ALLOY #ADC-12

FINISH: NATURAL (NO SUFFIX)
GRAY (SUFFIX -LG)
BLACK (SUFFIX -BK)

- 1) EIGHT (8) M4 x 20mm (0.787") LG. SCREWS SUPPLIED FOR ASSEMBLY OF COVER TO BODY.
- 2) ALL HOLE DIAMETERS HAVE ± 0.10 mm TOLERANCE
ALL OTHER DIMENSIONS HAVE ± 0.30 mm TOLERANCE