

Plastic enclosure

200 x 150 x 75 mm light grey PC IP 65



FEATURES:

Lid fastened with M4 stainless steel screws in pressed brass bushings
Lid is provided with a slightly sunk area for membrane keyboard
The holes in the enclosures for wall mounting and lid fixing screws are located outside the sealing area to protect against moisture and dust

FEATURES:

Standoffs for horizontal PCB mounting

SPECIFICATION:

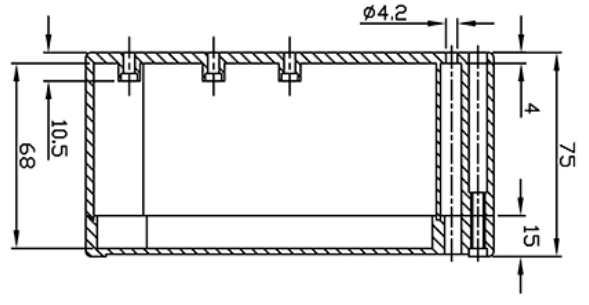
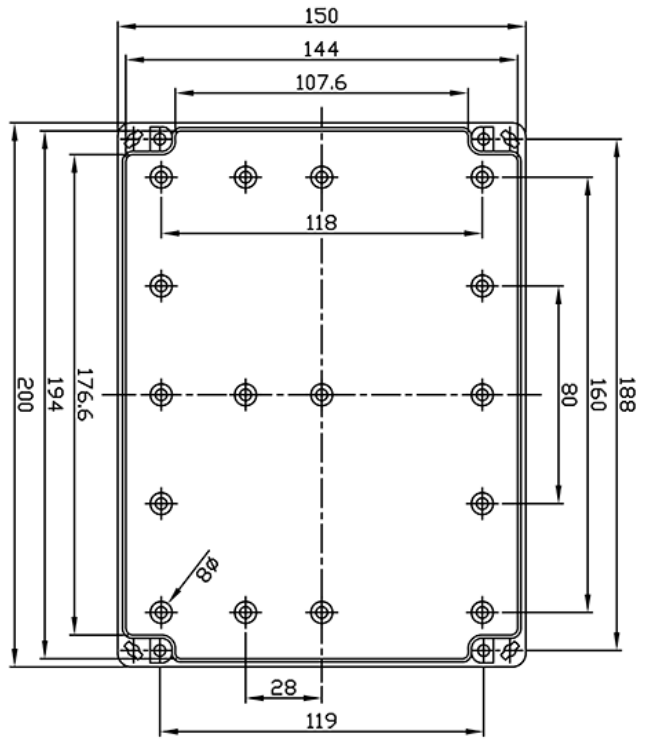
Dimensions L x W x H	200 x 150 x 75 mm
Colour	light grey
Material	PC
Protection rating	IP 65
Mounting	Screws
Temperature range	-40...+120 °C
Front panel	Transparent



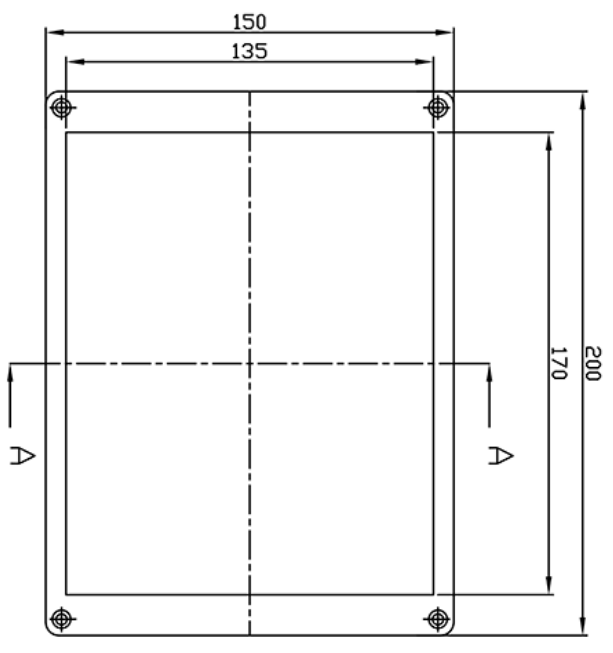
Art. Nr.

RND 455-00141

VIEW OF BASE



VIEW OF LID



A-A

