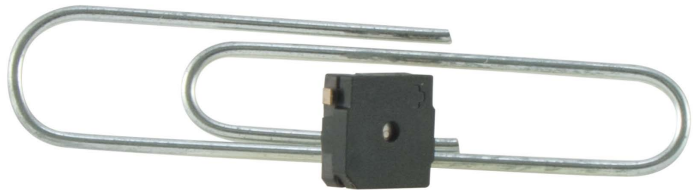


# Electromechanical Buzzer

## Features

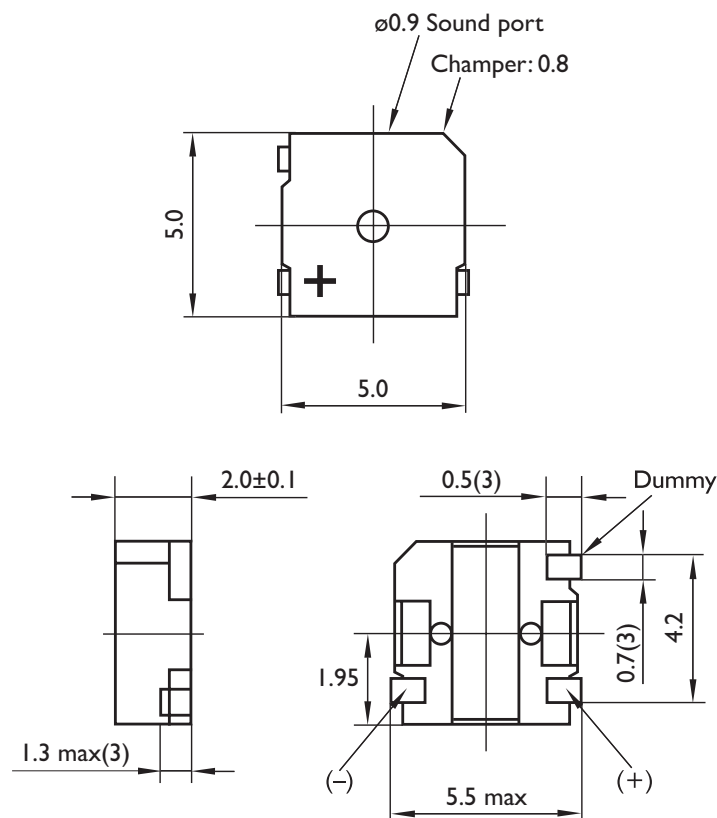
- ROHS compliant
- Low profile
- Ultra miniature surface mount device
- Requires additional circuitry to produce a tone
- Sound output from top



## Specification

Rated Voltage (Vp-p square wave)	3 Vp-p
Operating Voltage Min.	2 V
Operating Voltage Max.	4 V
Rated Current *	100 mA (max)
Sound Output at 100 mm Rated Voltage	≥ 70 dB
Resonant Frequency at Rated Voltage	4000 Hz
Operating Temperature Min.	-30 °C
Operating Temperature Max.	70 °C
Storage Temperature Min.	-40 °C
Storage Temperature Max.	85 °C
Weight	0.3 g

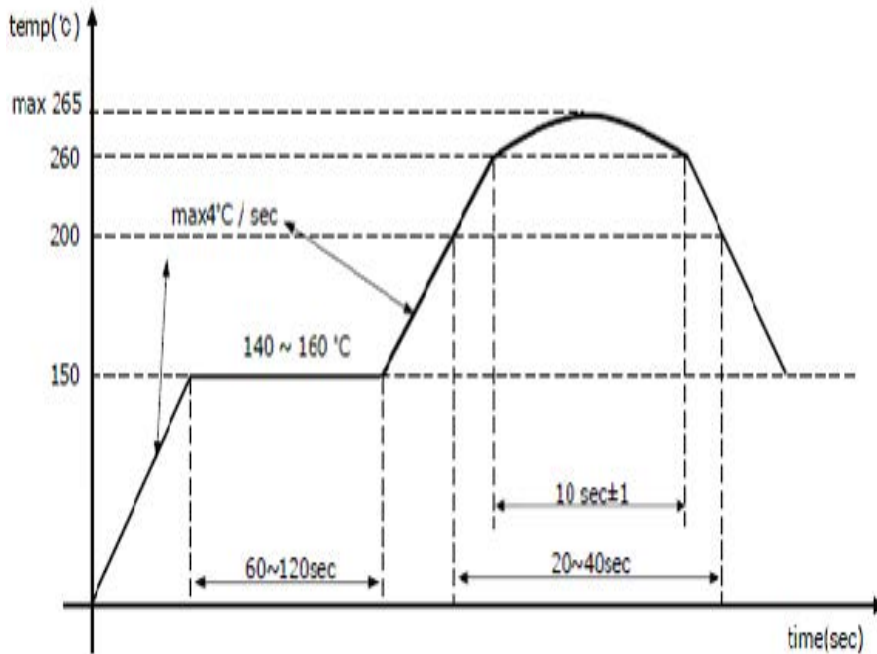
\*Value applying at rated voltage (AC)



**Dimensions** Unit: mm Tolerance:  $\pm 0.5$ mm

# Electromechanical Buzzer

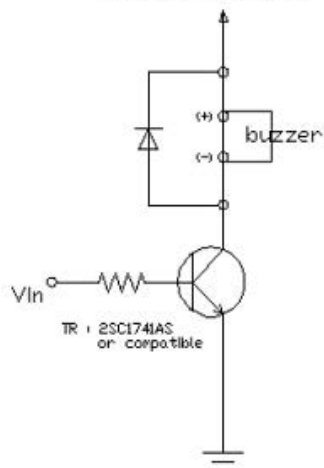
## Reflow Solder Profile



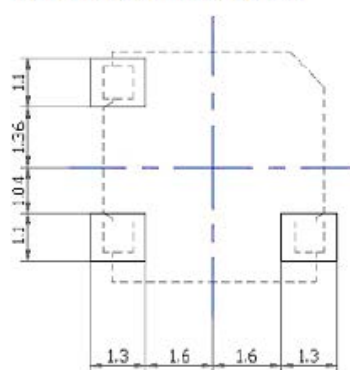
1) IR reflow profile  
This part is withstandable with two passes in reflow temperature condition show.

2) Manual soldering  
Condition for soldering iron: max 250°C, within 10 seconds

Basic drive circuit



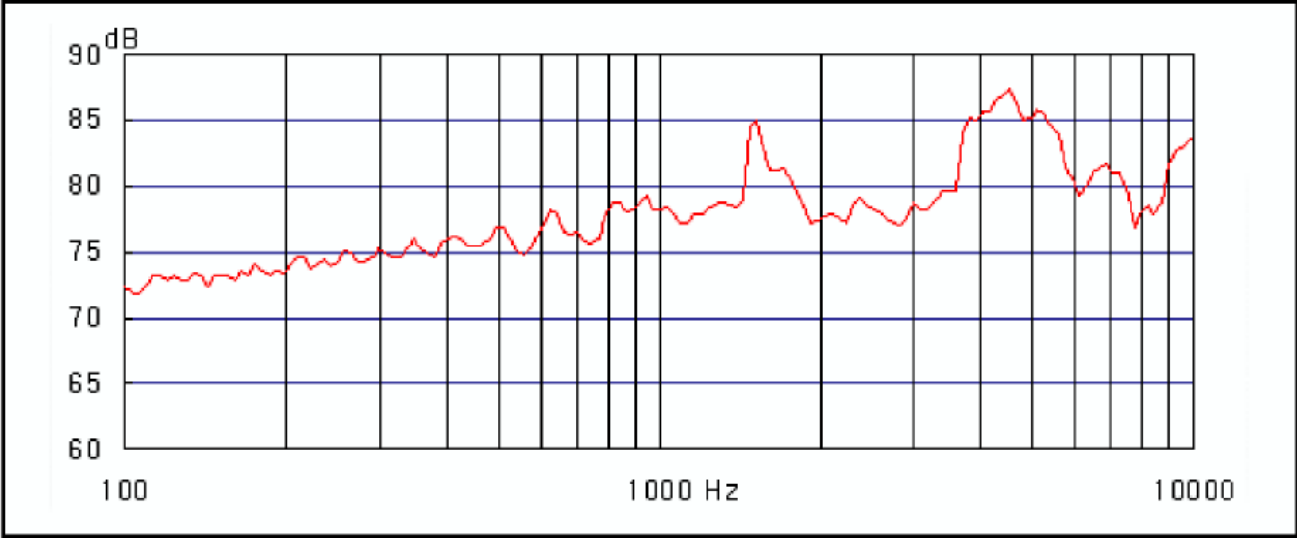
Recommended footprint



# Electromechanical Buzzer



## Frequency Curve



Art. Nr.  
RND 430-00023