

Electromechanical Buzzer

Features

- ROHS compliant
- Black in colour
- Lead pin material: Red copper (DSn)
- Wave solderable and washable

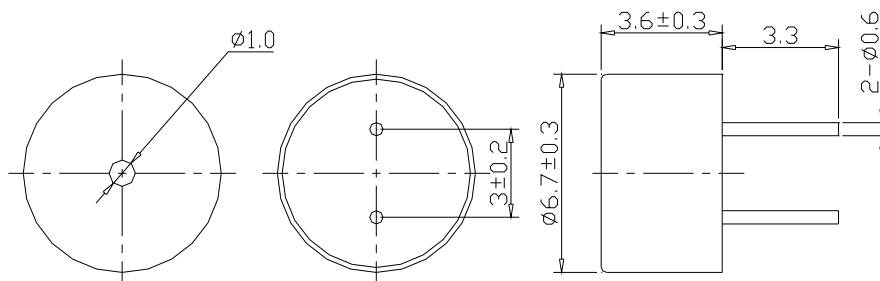


Specification

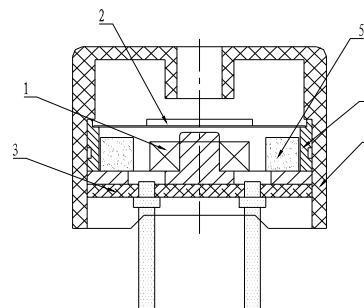
Rated Voltage (Vp-p square wave)	3 Vp-p
Operating Voltage Min.	2 V
Operating Voltage Max.	4 V
Rated Current*	≤150 mA
Coil Resistance	8±2 Ω
Sound Output at 3000 Hz at 100 mm*	≥ 70 dB
Resonant Frequency*	3000 Hz
Operating Temperature Min.	-30 °C
Operating Temperature Max.	70 °C
Storage Temperature Min.	-40 °C
Storage Temperature Max.	85 °C
Weight	1 g

*Value applying at rated voltage (AC)

Requires additional electronic circuitry to operate as a sounder



1. Coil part - Copper and Iron
2. Diaphragm - Iron
3. PCB
4. Core - Ferrite
5. Base ring - Copper
6. Housing - Noryl



Dimensions Unit: mm Tolerance: ±0.5 mm

Art. Nr.
RND 430-00022