

Electromechanical Buzzer

Features

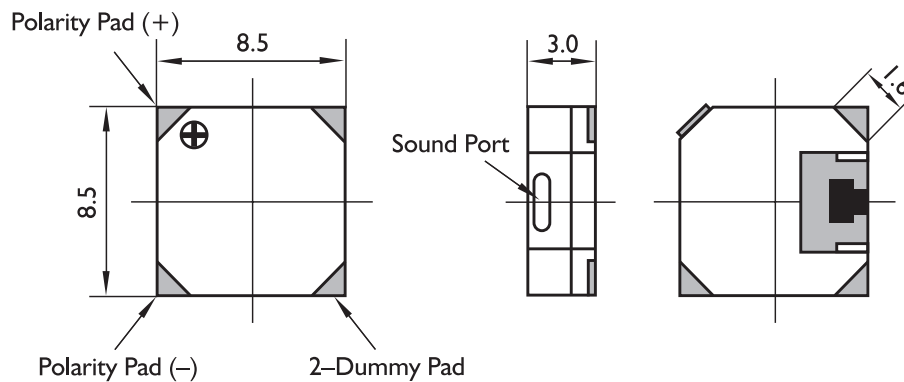
- ROHS compliant
- Black in colour
- Very small and low profile
- Surface mount
- Housing material: LCP



Specification

Rated Voltage (Vp-p square wave)	3.6 Vp-p
Operating Voltage Min.	2.5 V
Operating Voltage Max.	4.5 V
Rated Current	90 mA
Coil Resistance	16±3 Ω
Sound Output at 2730 Hz at 100 mm at Rated Voltage	≥ 85 dB
Resonant Frequency	2730 Hz
Operating Temperature Min.	-30 °C
Operating Temperature Max.	80 °C
Storage Temperature Min.	-40 °C
Storage Temperature Max.	85 °C
Weight	0.5 g

Requires additional electronic circuitry to operate as a sounder

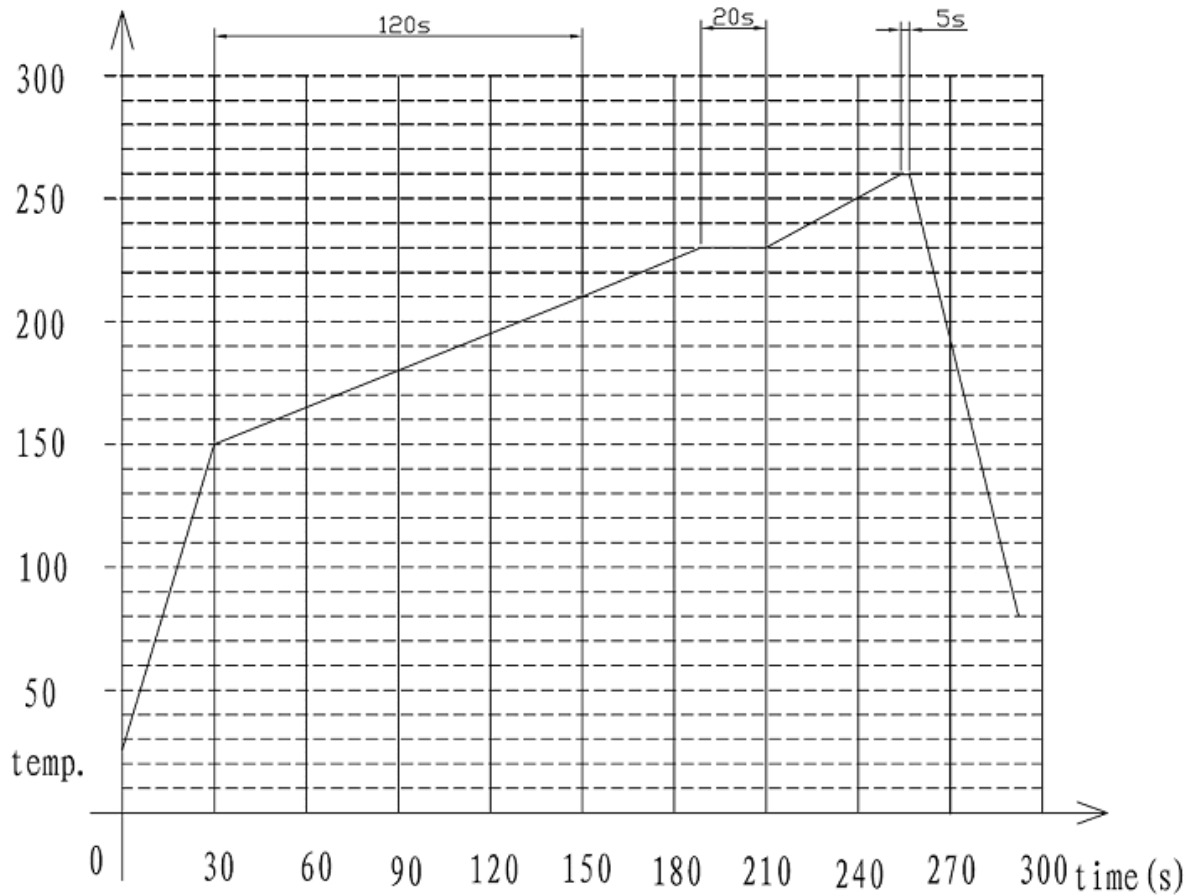


Dimensions Unit: mm Tolerance: ±0.5mm

Electromechanical Buzzer



Reflow Solder Profile



Art. Nr.
RND 430-00019