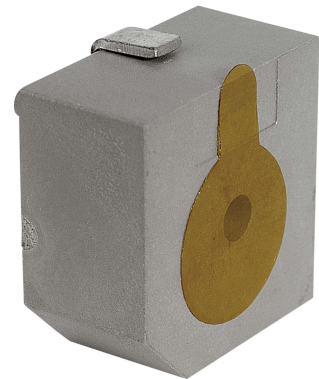


Electromechanical Buzzer

Features

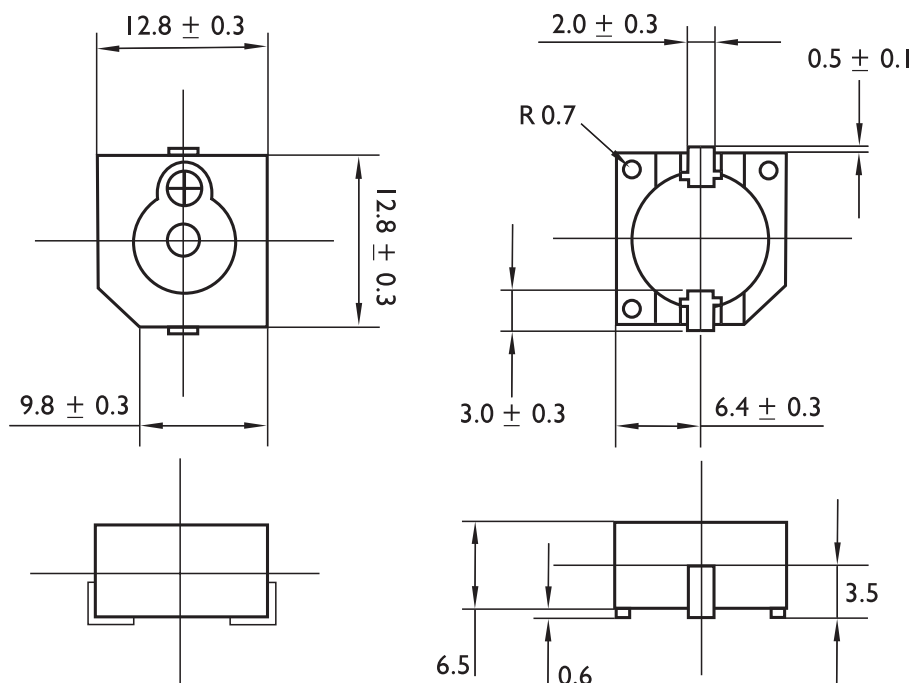
- ROHS compliant
- Reflow solderable and washable
- Housing material: PPS



Specification

Rated Voltage (Vp-p square wave)	1.5 Vp-p
Operating Voltage Min.	1 V
Operating Voltage Max.	3 V
Rated Current	30 mA
Coil Resistance	15±3 Ω
Sound output at 2400 Hz at 100 mm	≥ 80 dB
Resonant Frequency	2400 Hz±400 Hz
Operating Temperature Min.	-20 °C
Operating Temperature Max.	70 °C
Storage Temperature Min.	-30 °C
Storage Temperature Max.	80 °C
Weight	2 g

Requires additional electronic circuitry to operate as a sounder



Dimensions Unit: mm Tolerance: ±0.5mm

Art. Nr.
RND 430-00016