

Foot Switch

Features

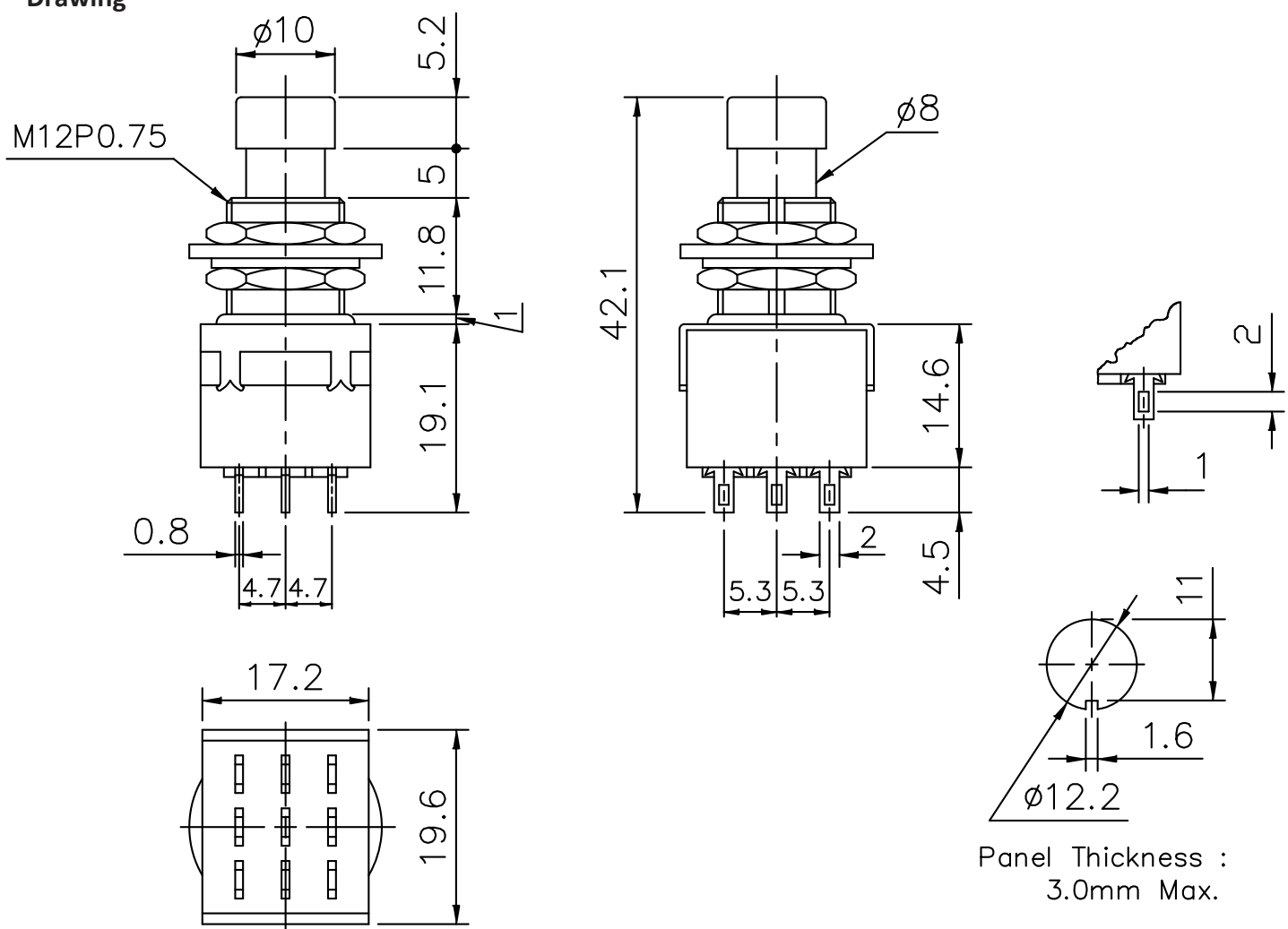
- Miniature size with robust design
- Reliable contact design for demanding applications
- RoHS & REACH compliant



Specification

Rating	4 A 125 VAC / 2 A 250 VAC
Actuator Options	Metal Button
Electrical Life	20000 Cycles at Full Load
Operating Temperature	-20 ... 65 °C
Contact Resistance	50 mOhm max.
Insulation Resistance	500 VDC 100 MOhm min.
Dielectric Strength	1500 VAC for 1 min.
Contact Configuration	3CO
Mounting Type	PCB Mount
Switching Function	ON-ON
Termination Type	Solder Lug

Drawing



Art. Nr.
RND 210-00741