

Foot Switch

Features

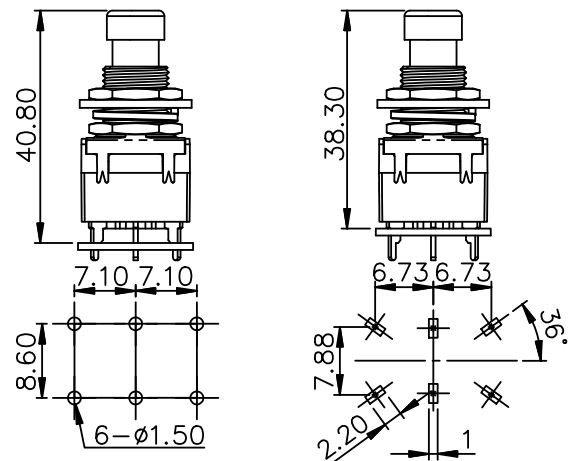
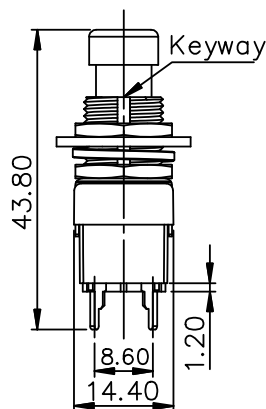
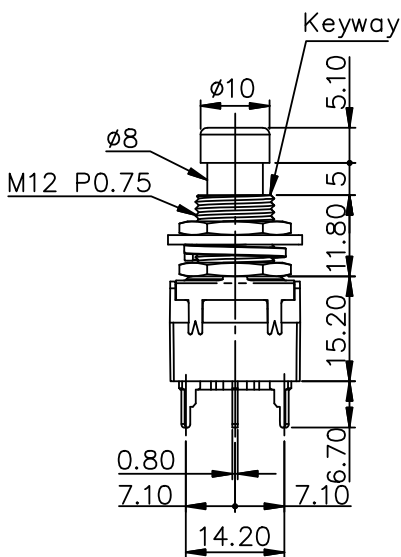
- Miniature size with robust design
- Reliable contact design for demanding applications
- RoHS & REACH compliant



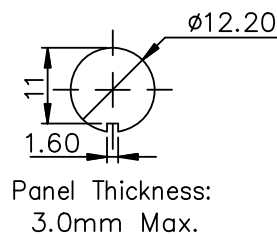
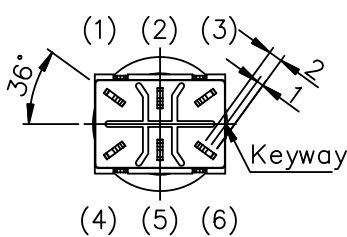
Specification

Rating	4 A 125 VAC / 2 A 250 VAC
Actuator Options	Metal Button
Electrical Life	50000 Cycles at Full Load
Operating Temperature	-20 ... 65 °C
Contact Resistance	50 mOhm max.
Insulation Resistance	500 VDC 100 MOhm min.
Dielectric Strength	1500 VAC for 1 min.
Contact Configuration	2CO
Mounting Type	PCB Mount
Switching Function	ON-(ON)
Termination Type	PC-Through Hole

Drawing



PC MOUNTING



Type	Terminal Quantity	Terminal Specification	Circuitry Trait	
			(ON)	ON
DPDT	6P	PC Terminal	1-2 4-5	2-3 5-6

Art. Nr.
RND 210-00740