

Panel Indicator

Features

- Circular push-fit panel mounting
- Curved lens
- ROHS compliant
- VDE, UL approval



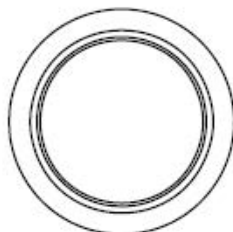
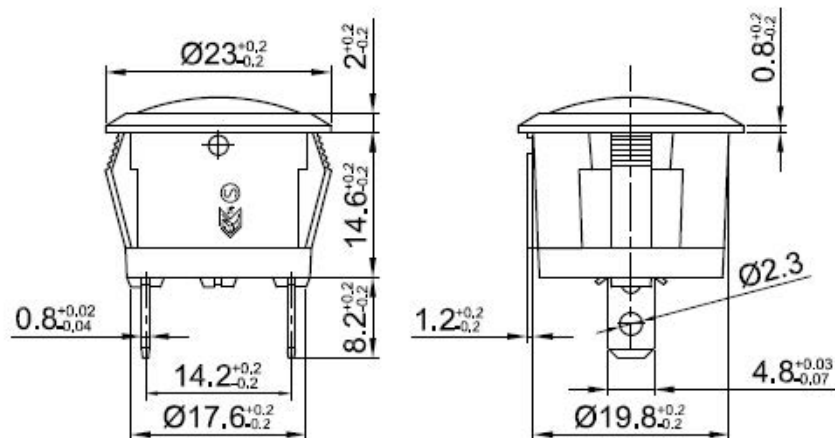
Specification

Voltage	220 V
Cut Out Size (Diameter)	20 mm
External Diameter	23 mm
Length	16.6 mm
Light Colour	Red
Termination Type	Faston Terminal, 4.8 x 0.8 mm
Contact Resistance	30 MOhm max.
Insulation Resistance	500 VDC 100 MOhm min.
Operating Temperature max.	125 °C
Operating Temperature min.	-25 °C
Indicator Type	Neon

Material Specification

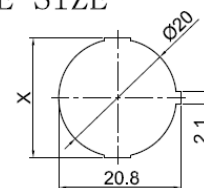
Housing Material	Polyamide 66, UL94-V2
Terminal Material	Copper Alloy
Lens Material	PC, UL94HB

Drawing



PANEL HOLE SIZE

Panel thickness	X
0.75-1.25	20.2
1.25-2.0	20.4
2.0-3.0	20.6



Art Nr.
RND 210-00718