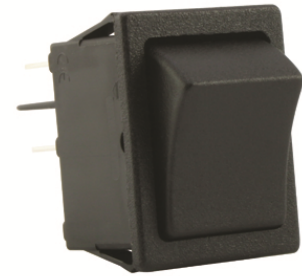


Rocker Switch

Features

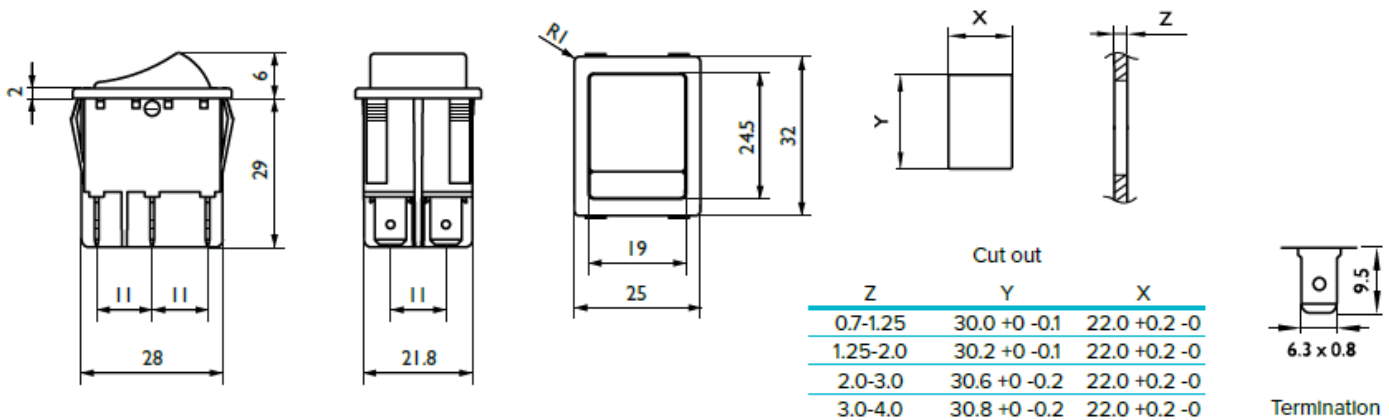
- Designed for panel mounting
- Easy to install, once a standard 30 x 20 mm cut-out has been made, the switches simply snap-in to the panel and are retained securely
- Ideal for repair, maintenance and of panels, equipment, and appliances.
- Typical applications include medical appliances, coffee machines, fridges and freezers, power inlets, machine guarding, control panels
- Double pole



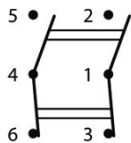
Specification

Rating	16 A, 250 VAC
Contact Configuration	2CO
Panel Cut Out Width	22 mm
Panel Cut Out Height	30 mm
Illuminated	No
Actuator Colour	Black
Mounting Type	Panel Mount
Termination Type	Faston Terminal, 6.3 x 0.8 mm
Housing Material	Plastic
Mechanical Life	50000 Operations
Operating Temperature max.	125 °C
Actuator Type	Rectangular Rocker

Drawing



Wiring Diagram



Accessories



RND 210-00714
 Splashproof Cap

Art Nr.
 RND 210-00710