

Pushbutton Switch

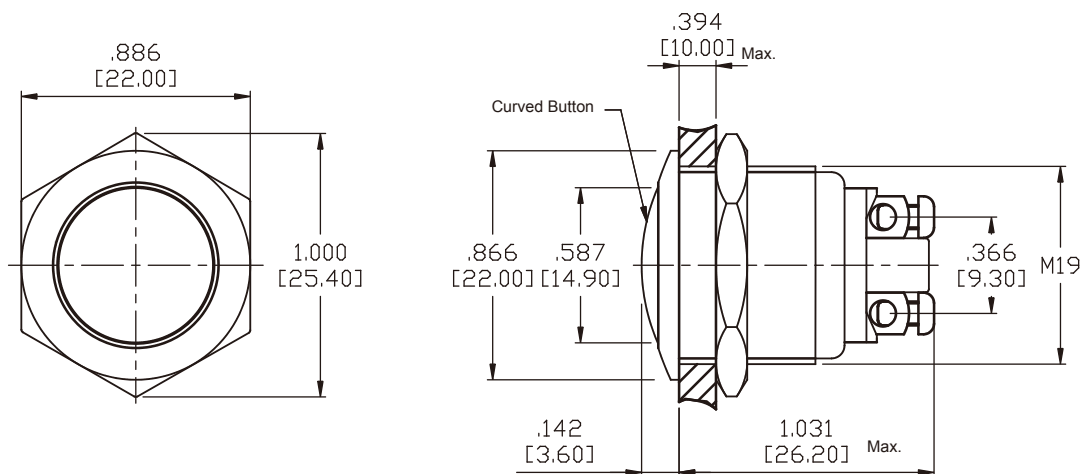


Specification

Contact Configuration	SPST
Contact Rating	2 A @ 36 VDC
Electrical Life	20000 Cycles
Insulation Resistance	1 GOhm min. @ 500 VDC
Contact Resistance	50 mOhm max initial @ 2 ... 4 VDC
Dielectric Strength	2000 V RMS, 50~60 Hz
Operating Temperature	-20 ... 55 °C
Switching Function	OFF-MOM
Bushing Diameter	19 mm
Torque	5 ... 14 Nm max Applied to Nut
Protection Class	IP65

Material Specification

Contact Material	Silver Alloy
Nut Material	Nickel Plated Brass
Base Material	PBT
Termination Type	Solder Lug



Art Nr.
RND 210-00661