

Pushbutton Switch



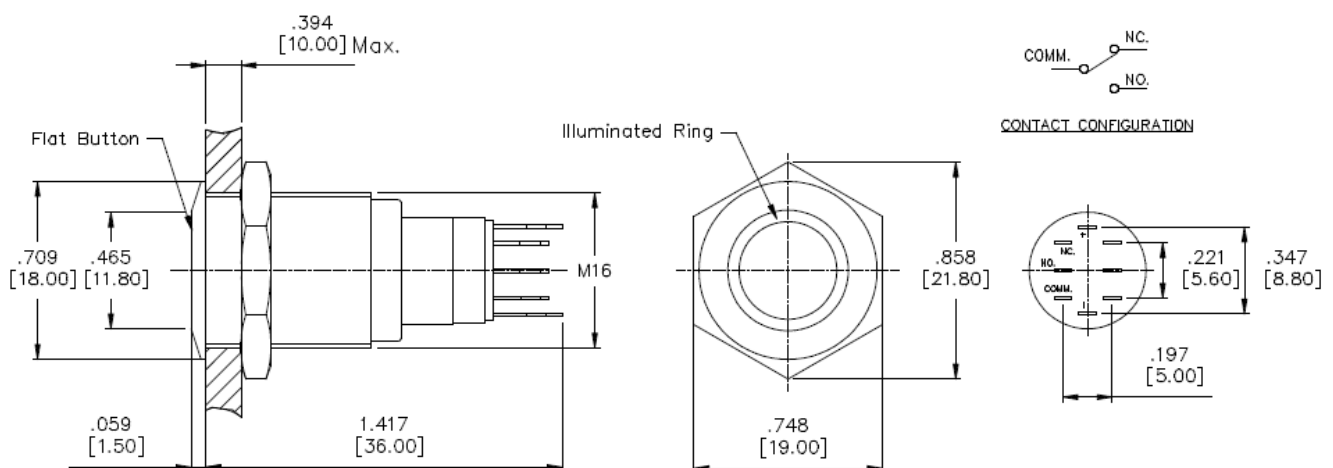
Specification

Contact Configuration	1CO
Contact Rating	3 A @ 250 VAC
Electrical Life	50000 Cycles
Insulation Resistance	1 GOhm min. @ 500 VDC
Contact Resistance	50 mOhm max. initial.
Dielectric Strength	2000 V RMS, 50~60 Hz
Operating Temperature	-20 ... 70 °C
Switching Function	ON-MOM
Operating Force	5.5 N max.
Torque	5 ... 14 Nm max Applied to Nut
Protection Class	IP67
LED	24 V, Blue

Material Specification

Contact Material	Silver Alloy
Nut Material	Nickel Plated Brass
Base Material	PBT
Bushing and Button Material	Stainless Steel with Varnished Polished

Drawing



Art Nr.
RND 210-00659