

Pushbutton Switch



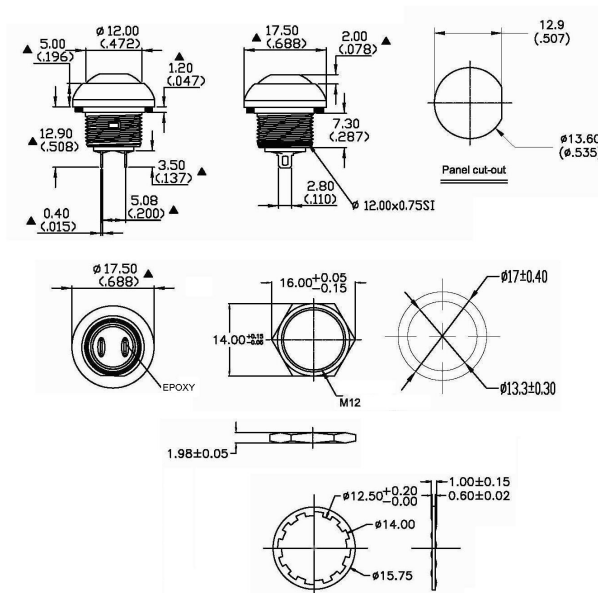
Specification

Poles / Throws	SPST
Contact Rating	400 mA 32 VAC, 100 mA 50 VDC, 125 mA 125 VAC
Electrical Life	500000 Cycles
Insulation Resistance	1 GOhm min. @ 500 VDC
Contact Resistance	50 mOhm max, 2 .. 4 VDC, 100 mA
Dielectric Strength	1000 V RMS, 50~60 Hz
Operating Temperature	-30 ... 85 °C
Switching Function	OFF-(ON)
Protection Rating	IP67
Torque	1.5 Nm max Applied to Nut
Travel	1.5 +/- 0.25 mm
Soldering Temperature	300 °C

Material Specification

Contact Material	Copper Alloy
Cap Material	Polyamide 66
Case Material	Thermoplastic, UL94V-0
Bushing Material	Polyamide 66
Terminal Material	Copper Alloy

Drawing



Art Nr.
RND 210-00658