

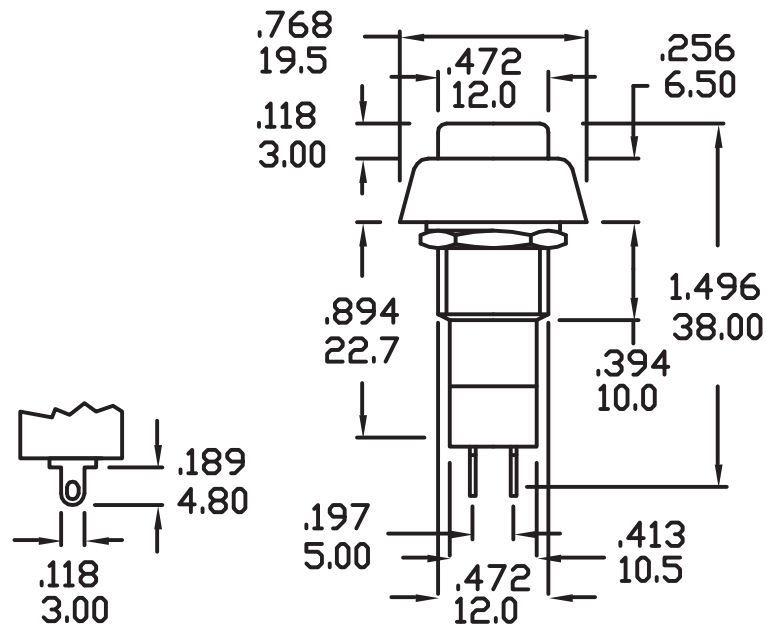
Pushbutton Switch



Specification

Proof Voltage	1.5 kVAC
Contact Resistance	20 mOhm max.
Electrical Life	50000 Cycles min.
Mechanical Life	100000 Cycles min.
Contact Configuration	1NO
Switching Function	ON-OFF
Insulation Resistance	100 MOhm min.
Contact Rating	1 A 250 VAC, 3 A 125 VAC
Button Colour	White

Drawing



Art Nr.
RND 210-00652