

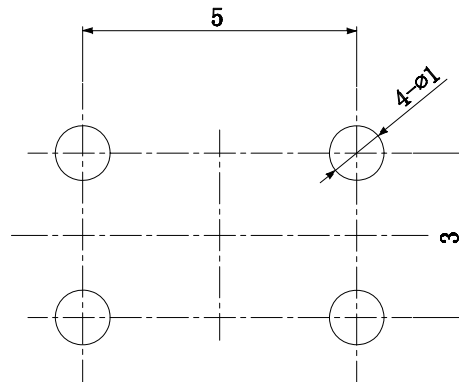
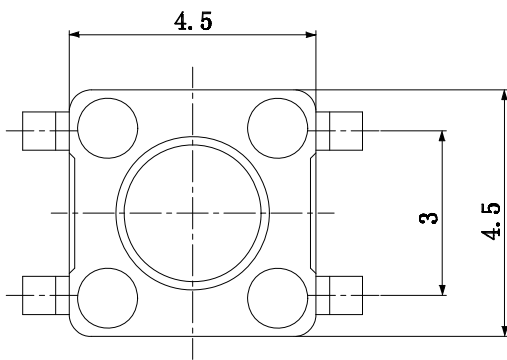
# Tacticle Switch



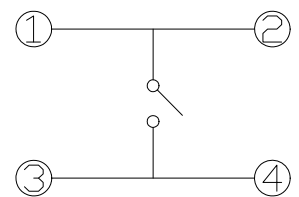
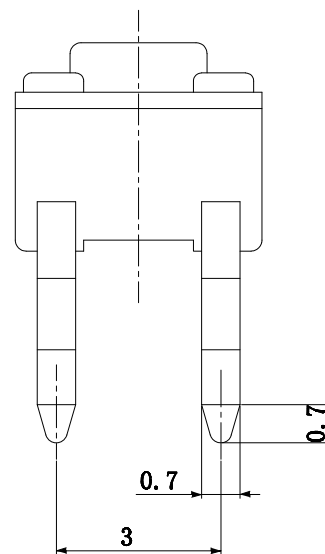
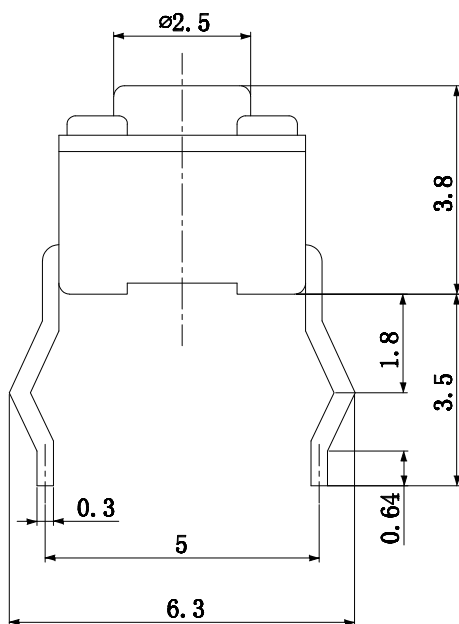
## Specification

Rating	50 mA, 12 VDC
Electrical Life	100000 Cycles, with Resistive Load of 50 mA, 12 VDC
Contact Resistance	50 mOhm max.
Insulation Resistance	100 MOhm min.
Dielectrical Strength	250 VAC
Operating Temperature	-25 ... 70 °C
Storage Temperature	-25 ... 70 °C
Switch Capacitance	5 pF max.
Operating Force	120 gf
Soldering Temperature	PCB Terminal @ 235 °C

## Drawing



P.C.B LAY OUT



CIRCUIT DIAGRAM

Art Nr.  
RND 210-00648