

# Toggle Switch



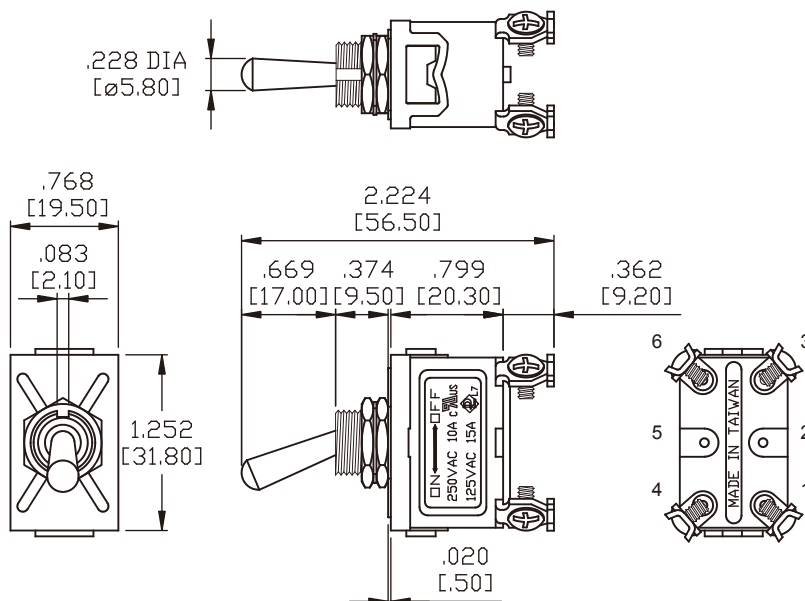
## Specification

Rating	10 A, 250 VAC
Insulation Resistance	200 MOhm min., 500 VDC
Contact Resistance	20 mOhm max., 1 A, 2 ... 4 VDC
Contact Configuration	DPST
Switching Function	ON-OFF

## Material Specification

Bushing Material	C3604 Brass
Cover Material	Iron
Actuator Material	C3604 Brass
Contact Arm Material	Red Brass
Contact Material	Silver
Contact Holder Material	Red Brass
Housing Material	Phenolic Resin
Terminal Material	Bronze
Screw Material	Iron

## Drawing



Art Nr.  
**RND 210-00645**