

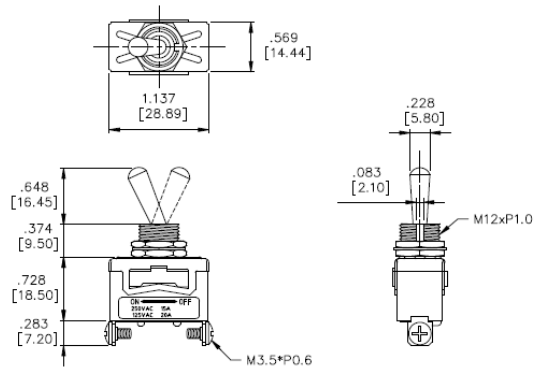
## SPECIFICATIONS:

RATING: 15A 250AC, 20A 125VAC.  
INSULATION RESISTANCE: DC 500V 200M-ohms min.  
CONTACT RESISTANCE: DC 2-4V 1A 20m-ohms max.  
WITHSTAND VOLTAGE: AC 1500V for 1 minute.

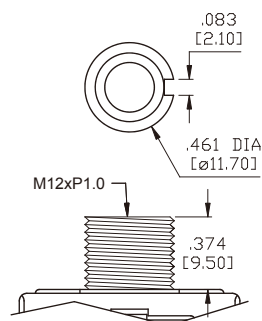
## MATERIALS:

BUSHING: Brass, nickel plated  
TOGGLE: Brass, nickel plated  
BASE: Phenolic resin molding compound, black  
CONTACT ARM: Red brass. SILVER  
CONTACT: Copper alloy, silver plated  
SPRING: Steel wire  
HOUSING: Iron, nickel plated.  
TERMINAL: Bronze, tin or nickel plated  
SCREW: Iron, nickel plated.

Art. Nr.  
RND 210-00498



## BUSHING

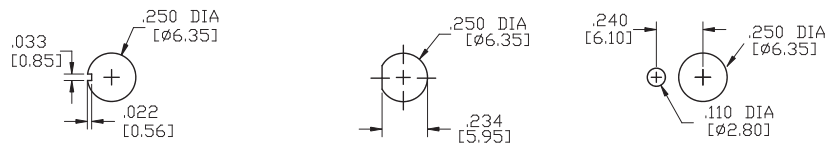


---

---

## PANEL MOUNTING

---



---

---

## ACTUATOR

---

