

Specification:

Rated current	180A
Rated voltage	600V
Insulation Resistance	5000M Ω
Contact Resistance	<95 $\mu\Omega$
Voltage Proof	2200VDC
Life: Without Load(Contact/Disconnect Cycles)	To 10000
Life: With Load(Hot Plug 250 Cycles & 120V)	180A
Flammability	UL94 V-0
Insertion Force	≥ 2 kgf
Pullout Force	≥ 2.5 kgf
Contact Barrel Wire Size	1AWG~4AWG
Connector Holding Force	500N Min
Environment Temperatures	-20 $^{\circ}$ C...125 $^{\circ}$ C

Material and Surface Performance:**Housing**

Housing Material	PC
Process of Production	Plastic Injection

Shrapnel

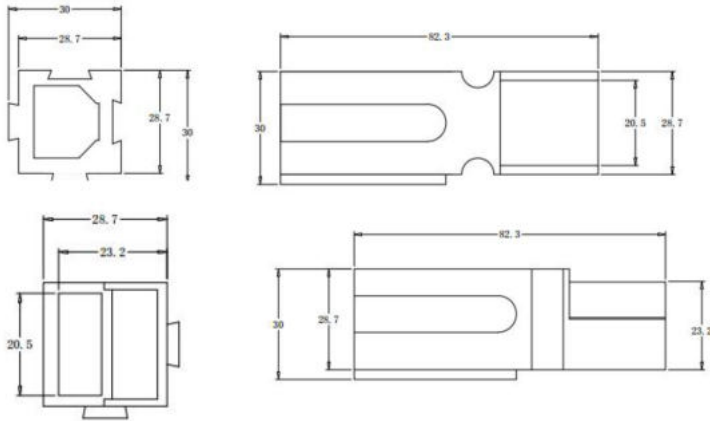
Shrapnel Material	Stainless Steel
Process of Production	Precision Punching

Terminal

Terminal Material	Red Copper
Process of Production	Precision Punching
Plating	Ag

Housing

Part Number	Housing Colour
RND 205SD180H-BL	Black
RND 205SD180H-BU	Blue
RND 205SD180H-RE	Red



Terminal

Part Number	-A-(mm)	-B-(mm)	-C-(mm)	-D-(mm)	Wire size	Current
RND 205SGD1382-T	57.8	12.8	11.2	21	1/0AWG	175A
RND 205SGD1383-T	57.8	12.8	8.9	21	2AWG	150A
RND 205SGD1384-T	57.8	12.8	7.6	21	4AWG	120A
RND 205SGD1484-T	54.5	10.8	5.6	25	6-8AWG	100A

