

Pin Headers 90°

2.5mm pitch



SPECIFICATION:

Material

Housing	PA66, UL94V-0
Pin Header	Brass, Tin Plated

Electrical

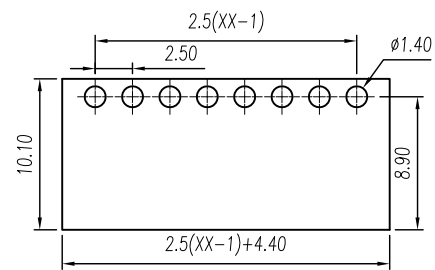
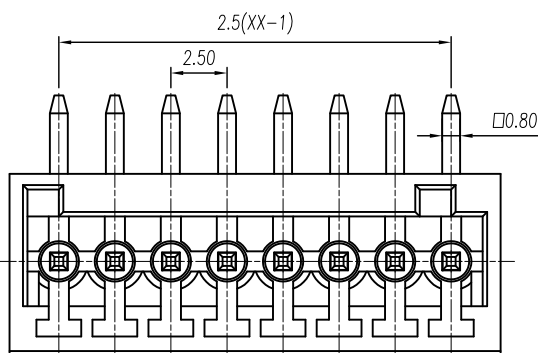
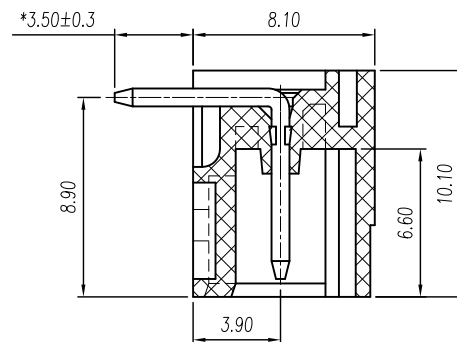
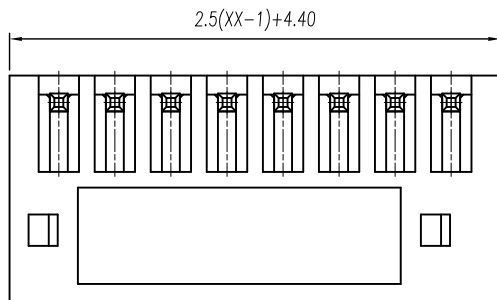
Standard	UL	IEC
Rated Voltage	150V	250V
Rated Current	5A	6A
Withstand Voltage	AC1250V/1Min	
Contact Resistance	20mΩ	
Insulation Resistance	500MΩ/DC500V	

Mechanical

Temperature Range	-40°C~+105°C
Max Soldering Temperature	+250°C for 5sec

Size

Pitch	2.5mm (.098")
Poles	2P-12P



P.C.B. LAYOUT