

Female Headers

3.5/3.81mm pitch



SPECIFICATION:

Material

Screws	M2 Steel, Zinc Plated	
Wire Guard	Brass, Tin Plated	
Housing	PA66, UL94V-0	
Clamp	Phosphor Bronze, Ni Plated	

Electrical

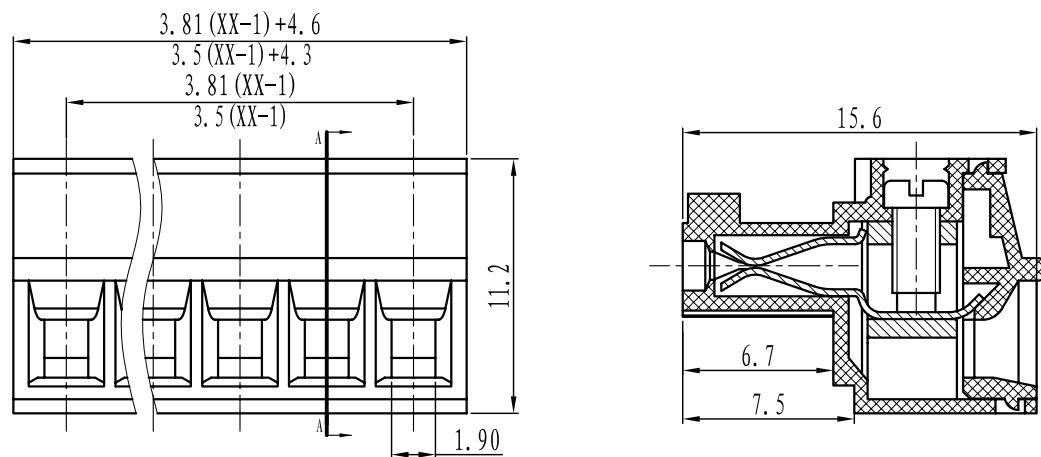
Standard	UL	IEC
Rated Voltage	300V	250V
Rated Current	8A	10A
Wire Range	28-16AWG	0.08-1.5mm ²
Contact Resistance	20mΩ	
Insulation Resistance	500MΩ/DC500V	
Withstand Voltage	AC2000V/1Min	

Mechanical

Temperature Range	-40°C~+105°C	
Torque	0.2Nm(1.7Lb.in)	
Strip Length	6-7mm	

Size

Pitch	3.5mm(.138"), 3.81mm(.150")	
Poles	2P-12P	



SECTION A-A

