

# Ground Terminal Block

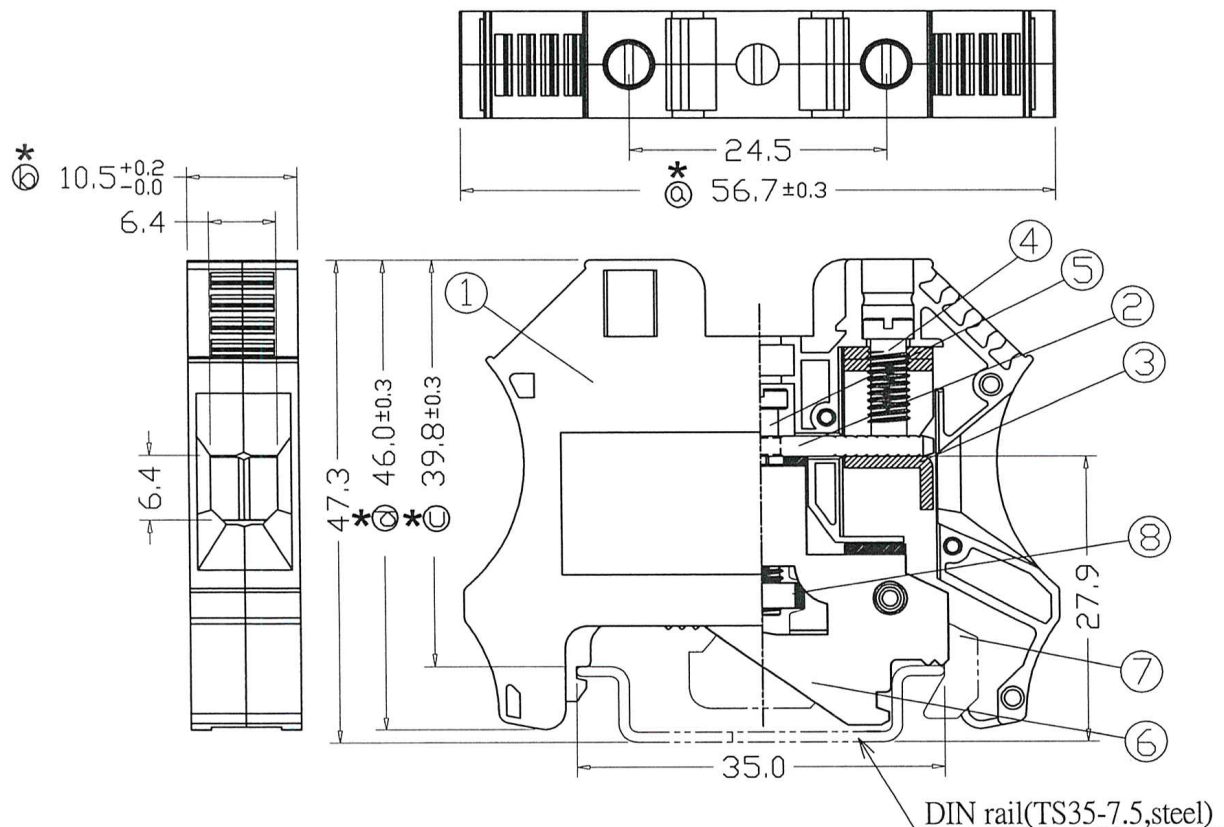


| Specification             | CUL                           | IEC                        |
|---------------------------|-------------------------------|----------------------------|
| Solid Wire                | 16 ... 6 AWG                  | 1.5 ... 10 mm <sup>2</sup> |
| Stranded Wire             | 16 ... 6 AWG                  | 1.5 ... 10 mm <sup>2</sup> |
| Impulse Withstand Voltage | 8 kV                          |                            |
| Torque (Terminal Screw)   | 1.8 Nm                        |                            |
| Torque (Mounting Screw)   | 1.03 ... 1.38 Nm              |                            |
| Terminal Screw            | M4 (Slotted Head)             |                            |
| Mounting Screw            | M4 (Slotted Head)             |                            |
| Wire Strip Length         | 10 ... 12 mm                  |                            |
| Mounting Din-Rail         | TS35-7.5/TS35-15/TS32 (Steel) |                            |
| Insulation Colour         | Green / Yellow                |                            |

## Material Specification

|                        |                       |
|------------------------|-----------------------|
| 1 - Insulating Body    | PA66 (UL94 V-0)       |
| 2 - Terminal           | Brass, Tin Plated     |
| 3 - Cage Clamp         | Steel, Zinc Finish    |
| 4 - Terminal Screw     | Steel M4, Zinc Finish |
| 5 - Mounting Screw     | Steel M4, Zinc Finish |
| 6 - Contact Piece of 1 | Brass, Tin Plated     |
| 7 - Contact Piece of 2 | Steel, Zinc Finish    |
| 8 - Nut                | Steel, Zinc Finish    |

## Drawing



Art. Nr.  
RND 205-01334

# Din-Rail Terminal Block



## Accessories



**End Bracket**  
RND 205-01335



**End Plate**  
RND 205-01336



**Slotted VDE Screwdriver**  
RND 550-00389



**Plug-In Bridges**  
RND 205-01338 - 2 Poles  
RND 205-01339 - 3 Poles  
RND 205-01340 - 4 Poles



**Marking Tag Numbers**  
RND 205-01341  
RND 205-01342



**Top Hat DIN-Rails**  
RND 465-00764  
RND 465-00765  
RND 465-00766